

# OPERATION AND SERVICE MANUAL

# AILTECH 7600 SERIES NOISE GENERATORS



NOVEMBER 1980

**WARRANTY**

This instrument is protected by a full one year warranty against defects in workmanship and materials, except for fuses which carry no warranty. Eaton Corporation, Electronic Instrumentation Division, in connection with equipment sold, agrees to correct any defect in workmanship or material which may develop during the period of one year from the date of shipment under proper or normal use and not in excess of the original manufacturer's life expectancy ratings, by its option to repair or replace, FOB point of shipment, the defective part or parts. Such correction shall constitute a fulfillment of all Eaton Corporation, Electronic Instrumentation Division liabilities in respect to said instrument.

**SERVICE**

Additional service information can be made available by calling AILTECH.

Ronkonkoma, NY     — 516-588-3600  
City of Industry, Ca.     — 213-965-4911  
Los Angeles, Ca.     — 213-822-3061

**TABLE OF CONTENTS**

<u>Paragraph</u>	<u>Title</u>	<u>Page</u>
<b>SECTION 1 – GENERAL INFORMATION</b>		
1-1	Introduction .....	1-1
1-3	General Description .....	1-1
1-10	Technical Specifications .....	1-2
1-12	Supplemental Characteristics .....	1-4
1-14	Options .....	1-6
1-17	Accessories .....	1-6
<b>SECTION 2 – INSTALLATION</b>		
2-1	Introduction .....	2-1
2-3	Unpacking, Inspection and Damage Claims .....	2-1
2-5	Ancillary Items .....	2-1
2-7	Preparation for Use .....	2-1
2-9	Initial Checkout .....	2-1
<b>SECTION 3 – OPERATION</b>		
3-1	General .....	3-1
3-3	Controls, Indicators and Connectors .....	3-1
3-5	Typical Setups .....	3-1
3-8	RF-IF Interface .....	3-4
3-12	Manual Y-Factor Technique.....	3-4
3-20	Direct Reading and Automated Measurements.....	3-5
<b>SECTION 4 – THEORY OF OPERATION</b>		
4-1	General Description .....	4-1
4-3	Diode Module .....	4-1
4-7	Coaxial Attenuator .....	4-1
<b>SECTION 5 – MAINTENANCE AND ADJUSTMENTS</b>		
5-1	General .....	5-1
5-3	Factory Service .....	5-1
<b>SECTION 6 – REPLACEABLE PARTS .....</b>		
		6-1

## LIST OF ILLUSTRATIONS

<u>Figure</u>	<u>Title</u>	<u>Page</u>
1-1	AILTECH 7600 Series, Solid State Noise Generators .....	iv
1-2	Sample Calibration Data Sheet .....	1-2
1-3	Calibration Graph .....	1-2
1-4	7600 Series Outline Dimensions .....	1-5
3-1	Typical Manual Measurement Setups .....	3-2
3-2	Typical Noise Figure (Direct-Reading) Setup .....	3-2
3-3	Typical Automated Setup for Noise Figure (7370) or Simultaneous Noise Figure and Gain (7380) Measurements .....	3-3
3-4	Nomograph for Determining Noise Figure or Temperature .....	3-6
3-5	AILTECH Noise Figure Slide Rule .....	3-7
4-1	AILTECH 7600 Noise Generator Block Diagram .....	4-1

**LIST OF TABLES**

<u>Table</u>	<u>Title</u>	<u>Page</u>
1-1	General Technical Specifications .....	1-3
1-2	Calibration Frequencies and Worst Case Uncertainties, Part Number 7615 .....	1-3
1-3	Calibration Frequencies and Worst Case Uncertainties, Part Number 7616 .....	1-3
1-4	Calibration Frequencies and Worst Case Uncertainties, Part Number 7617 .....	1-4
1-5	Calibration Frequencies and Worst Case Uncertainties, Part Number 7618 .....	1-4
1-6	Supplemental Characteristics .....	1-4
1-7	Uncertainties Versus Frequency .....	1-6



Figure 1-1. AILTECH 7600 Series, Solid State Noise Generators

**SECTION 1**

**GENERAL INFORMATION**

**1-1. INTRODUCTION**

1-2. This manual contains operational and service information for the AILTECH 7615, 7616, 7617 and 7618 Solid-State Noise Generators.

**1-3. GENERAL DESCRIPTION**

1-4. The AILTECH 7600 Series Noise Generators provide accurately calibrated noise levels at frequencies from 10 MHz to 18 GHz which can be used to evaluate the noise performance factors of receivers and amplifiers (including subassemblies, modules, and individual devices). The measurement results are usually in terms of Noise Figure (Noise Factor) or Effective Input Noise Temperature.

1-5. The noise generators described by this manual are physically similar. Figure 1-1 is a photograph of the Solid-State Noise Generators. The general external characteristics are indicated below. Specific differences can be extracted from the specification.

Part Number	Frequency Range	Output Connector
7615	10 MHz to 1.5 GHz	N Male
7616	1 to 12.4 GHz	N Male
7617	12.4 to 18 GHz	SMA Female
7618	1 to 18 GHz	SMA Female

1-6. All AILTECH 7600 Series Noise Generators are calibrated at each specified frequency by means of the AILTECH 82 Noise Calibration System. This system was reviewed by the National Bureau of Standards (NBS) in 1968 (NBS Report #9729, Error Analysis of the AIL Noise Measuring System, W.C. Daywitt, September 1968). Copies of this report are available from Eaton Corporation, Electronic Instrumentation Division, upon request.

1-7. The calibration system is fully traceable to NBS except for those frequency ranges at which NBS does not offer a calibration service. In these cases, the 7600 Series Noise Generator calibration is traceable to basic, natural, physical phenomena.

1-8. Each AILTECH 7600 Series Noise Generator is accompanied by a Calibration Data Sheet (located under the foam insert of the storage case). Figure 1-2 is a sample of a typical data sheet. In addition, the calibrated excess noise ratio values are marked on a graph of ENR versus frequency affixed to the body of the noise generator. (See Figure 1-3).

CALIBRATION		
PIN 7618		
SN _____		
Frequency (GHz)	Excess Noise Ratio (ENR)	Calibration Uncertainty $\pm 0.30$ dB
1.0	_____	Date _____
2.0	_____	Tested By _____
3.0	_____	Quality Control _____
8.2	_____	
9.8	_____	
12.4	_____	
16.0	_____	
18.0	_____	
SPECIFICATIONS		
Part Number	7618	<b>OPERATING INSTRUCTIONS</b> The Solid State Noise Source PIN 7618 is designed to be used with an AILTECH 75 Precision Automatic Noise Figure Indicator (PANFI), or 13611 Precision Test Receiver, 7300 System Noise Monitor. The noise source requires regulated +28 VDC at less than 20 mA. See the Instruction Manual for more detail.
Frequency Range	1.0 to 18 GHz	
Excess Noise Ratio (ENR)	15.0 dB Nominal	
Output VSWR	1.30 maximum	
Operating Voltage	28.00 Volts DC	
Noise Output Connector	Type GSM, Female	
Power Input Connector	Type BNC, Female	
Overall Size	1 x 1 x 4 L	
Voltage Sensitivity	0.1 dB $\pm 1\%$ & V	

Figure 1-2. Sample Calibration Data Sheet

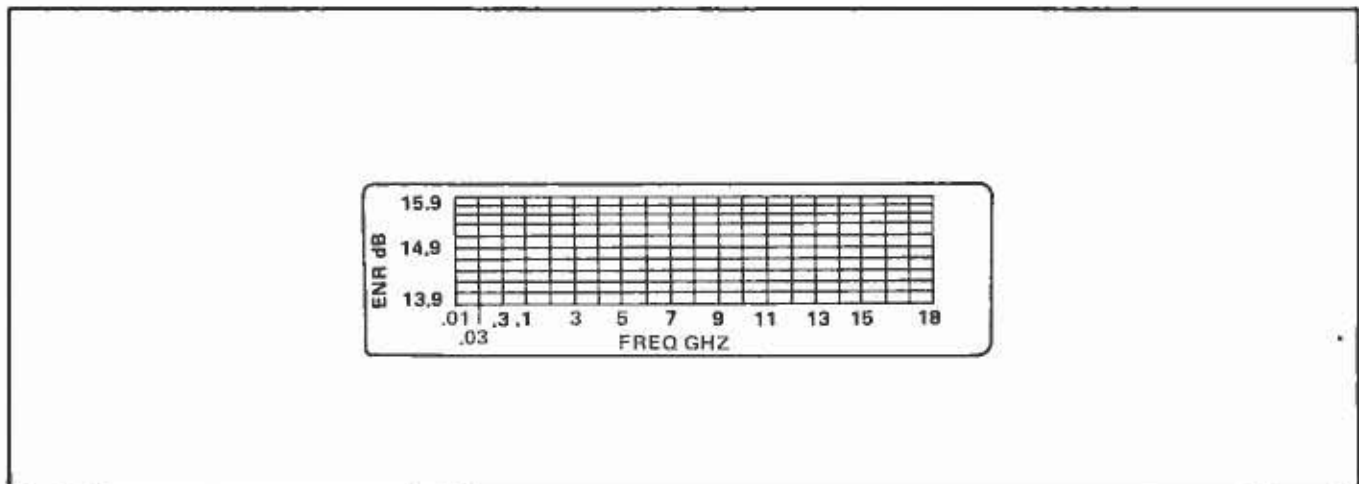


Figure 1-3. Calibration Graph

1-9. The high accuracy of the calibration method and low VSWR at the output of the noise generator combine to provide the user with the potential for extremely accurate noise figure measurements.

**1-10. TECHNICAL SPECIFICATIONS**

1-11. Table 1-1 is a listing of the general technical specifications of the noise generators covered by this manual. Calibration frequencies and associated worst case uncertainties are shown in Table 1-2 through Table 1-5.



**Table 1-1. General Technical Specifications**

Part Number	7615	7616	7617	7618
Frequency Range	0.01-1.5 GHz	1-12.4 GHz	12.4-18 GHz	1-18 GHz
Excess Noise Ratio (nominal, dB)	15.5 dB	15.5 dB	15.5 dB	15.0 dB
Flatness versus Frequency	±0.5 dB	±0.5 dB	±1 dB	±1 dB
VSWR (maximum)	1.2	1.2	1.3	1.2, 1 to 12.4 GHz 1.3, 12.4 to 18 GHz
Input Connector	BNC Female	BNC Female	BNC Female	BNC Female
Output Connector	N Male	N Male	SMA Female	SMA Female
Input Power	+28 volts @ 20 mA maximum	+28 volts @ 20 mA maximum	+28 volts @ 20 mA maximum	+28 volts @ 20 mA maximum

**Table 1-2. Calibration Frequencies and Worst Case Uncertainties, Part Number 7615**

Frequency (MHz)	Worst Case Uncertainty (±dB)
30	0.3
300	0.3
1000	0.3
1500	0.3

**Table 1-3. Calibration Frequencies and Worst Case Uncertainties, Part Number 7616**

Frequency (GHz)	Worst Case Uncertainty (±dB)
1	0.3
2	0.3
3.95	0.28
8.2	0.25
9.8	0.25
12.4	0.25

Table 1-4. Calibration Frequencies and Worst Case Uncertainties, Part Number 7617

Frequency (GHz)	Worst Case Uncertainty ( $\pm$ dB)
12.4	0.25
15	0.25
18	0.25

Table 1-5. Calibration Frequencies and Worst Case Uncertainties, Part Number 7618

Frequency (GHz)	Worst Case Uncertainty ( $\pm$ dB)
1	0.3
2	0.3
3.95	0.28
8.2	0.25
9.8	0.25
12.4	0.25
15	0.25
18	0.25

**1-12. SUPPLEMENTAL CHARACTERISTICS**

1-13. Table 1-6 lists additional supplemental characteristics applicable to the 7600 Series Noise Generators covered by this manual.

Table 1-6. Supplemental Characteristics

Temperature Sensitivity	0.01 dB/ $^{\circ}$ C
Voltage Sensitivity	0.1 dB/ $\%$ $\Delta$ V
Turn-on Time	< 5 $\mu$ s
Turn-off Time	< 5 $\mu$ s
Operating Temperature Range	0 to 55 $^{\circ}$ C
Weight	3 oz. (85 gr.)
Size	See Figure 1-4

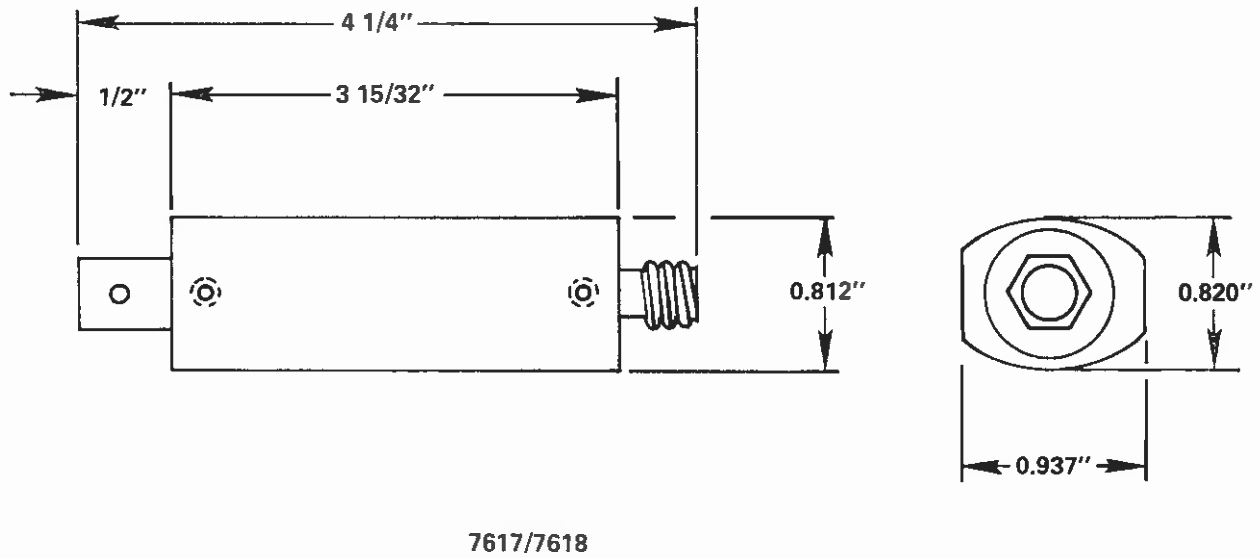
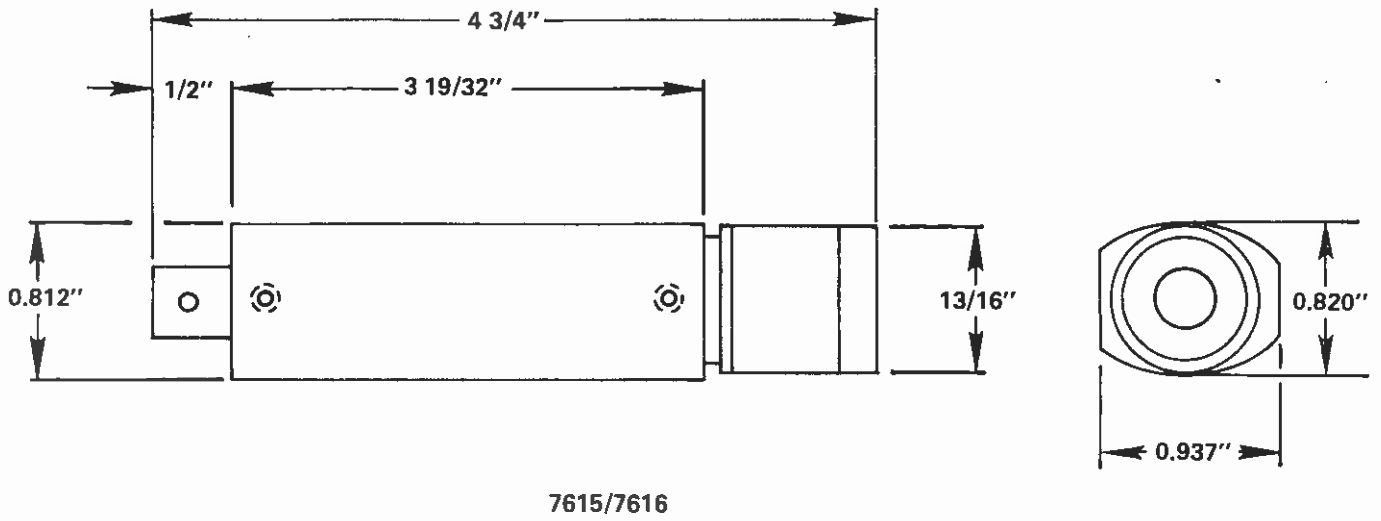


Figure 1-4. 7600 Series Outline Dimensions

**1-14. OPTIONS**

1-15. The 7600 Series Noise Generators can be provided with additional calibration points other than those noted in Tables 1-2 through 1-5. These calibrations are designated *Standard* or *Precision*. Consult the factory for additional details. Table 1-7 shows the worst case ENR uncertainties for both types of calibration.

Table 1-7. Uncertainties Versus Frequency

Frequency Range GHz	Worst Case Uncertainty $\pm$ dB	
	Standard	Precision
0.01 to 2.6	0.30	0.27
2.6 to 3.95	0.28	0.23
3.95 to 8.2	0.30	0.28
8.2 to 18.0	0.25	0.15

1-16. In the frequency range 2.6 to 3.95 GHz and 8.2 to 18 GHz the calibrations are traceable directly to the National Bureau of Standards. At other frequencies, the calibrations are based on the temperatures of boiling water and boiling liquid nitrogen. These primary natural phenomena are the basic standards for noise measurements and are incorporated in the AILTECH 7009 Hot-Cold Standard Noise Generator used for these calibrations.

**1-17. ACCESSORIES**

1-18. Connections to the 7600 Series Noise Generators are by means of standard coaxial connector series; therefore, interconnecting cables or accessories are not furnished with these units.

## SECTION 2

### INSTALLATION

#### 2-1. INTRODUCTION

2-2. This section describes unpacking, inspection, preparation for use and initial checkout of the AILTECH 7600 Series Noise Generators.

#### 2-3. UNPACKING, INSPECTION AND DAMAGE CLAIMS

2-4. No special instructions or precautions are necessary for unpacking the Noise Generator; the instrument is ready for use immediately upon receipt. The following checks should be made to insure that no damage has occurred during shipment.

1. Inspect the shipping container prior to acceptance from the carrier. Note any damage to the shipping container on the carrier's receipt.
2. Inspect the Noise Generator for physical damage.
3. If damage is not apparent until after the instrument has been accepted, file a claim for concealed damage with the carrier within 5 days after receipt. All packaging material must be kept for inspection by the carrier's agent. A copy of the claim must be forwarded to Eaton Corporation, Electronic Instrumentation Division.

#### 2-5. ANCILLARY ITEMS

2-6. Each 7600 Noise Generator is packed in a plastic storage case and is accompanied by a Calibration Record (stored under the foam insert in the storage case) and one copy of this manual.

#### 2-7. PREPARATION FOR USE

2-8. No special preparations are required to put the Noise Generator into operation other than connecting it to a regulated +28 volt source – available in all AILTECH noise measuring instruments.

#### 2-9. INITIAL CHECKOUT

2-10. Because of the complexity of the equipment required for accurate performance verification, the following tests are intended only as gross indicators of proper operation.

2-11. These checks consist of connecting the output of a properly energized Noise Generator to a high sensitivity power meter. The indicated power will be a function of the noise bandwidth of the specific unit under test. Since the Noise Generators do not cut off sharply at their band edges, a specific power level for each unit cannot be stated, and only a minimum level is required for operational verification.

2-12. Connect the BNC INPUT of the Noise Generator to a regulated +28 volt DC source. The following AILTECH instruments are capable of providing the requisite power:

13611 Precision Test Receiver

7511 Precision Automatic Noise Figure Indicator (PANFI)

7512 PANFI

7514 PANFI

7300 Series System Noise Monitors (SNM-all models)

Alternatively, a regulated laboratory power supply capable of providing +28 volts DC at 20 mA may be used.

2-13. With the DC supply turned off, connect the noise OUTPUT of the Noise Generator to the power head of a high sensitivity RF (10 MHz to 18 GHz) power meter capable of measuring levels down to -70 dBm.

2-14. Turn on the +28V supply (MANUAL ON mode of the 75 PANFI and 7300 SNM). Note the indication of the power meter. The following are the minimum readings that should occur:

<u>Part Number</u>	<u>Minimum Power Level (dBm)</u>
7615	-67
7616	-58
7617	-61
7618	-56

2-15. Field maintenance and repair are not recommended for AILTECH 7600 Series Noise Generators; therefore, if a unit fails the operational check described above, contact your local Eaton Corporation, Electronic Instrumentation Division (AILTECH) representative for instructions on return of the Noise Generator for repair (refer to paragraph 5-3).

## SECTION 3

### OPERATION

#### 3-1. GENERAL

3-2. This section describes operation of the Noise Generators in typical noise figure and effective input noise temperature measurement setups. Additional details on these measurements can be found in the instruction manuals pertaining to the noise measuring instruments (PANFI, SNM, Precision Test Receiver).

#### 3-3. CONTROLS, INDICATORS AND CONNECTORS

3-4. There are no controls or indicators and only two connectors – BNC female INPUT, Type N male or SMA female OUTPUT – on the AILTECH 7600 Series Noise Generators.

#### 3-5. TYPICAL SETUPS

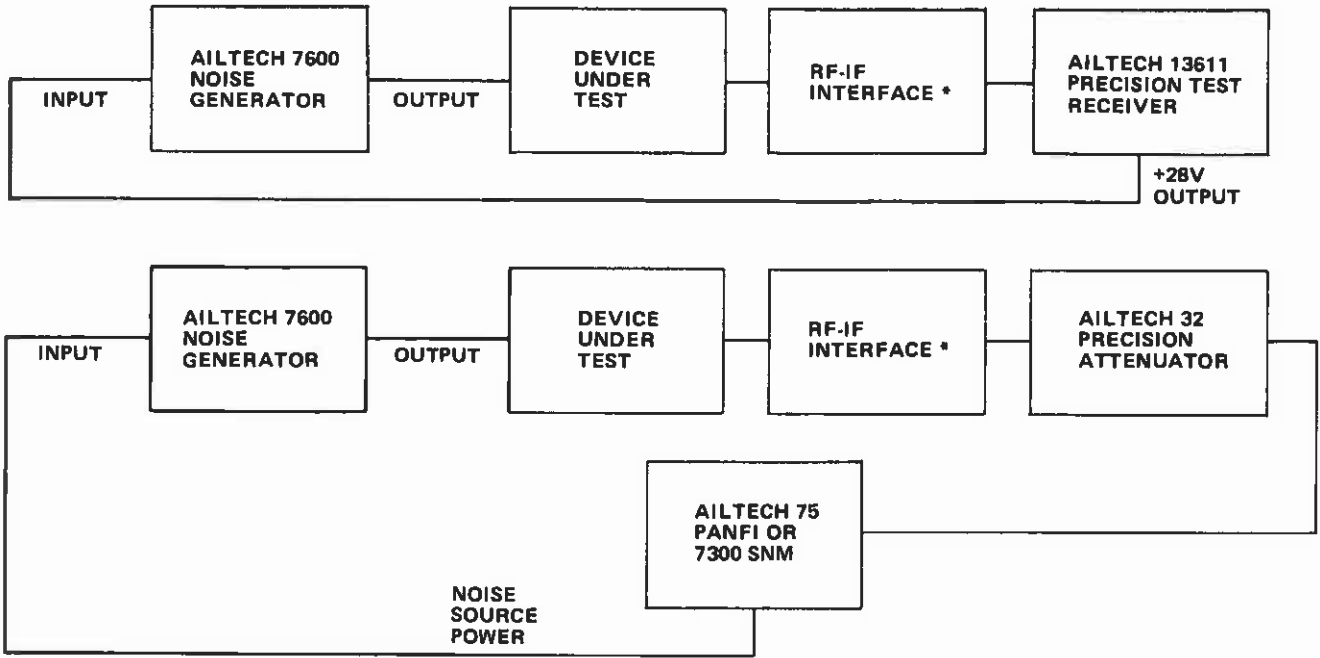
3-6. Figures 3-1 through 3-3 are block diagrams of typical setups using AILTECH 7600 Noise Generators for noise figure or effective input noise temperature measurement.

**CAUTION**

Two precautions should be observed when connecting the Noise Generator OUTPUT to the input of the device-under-test (DUT).

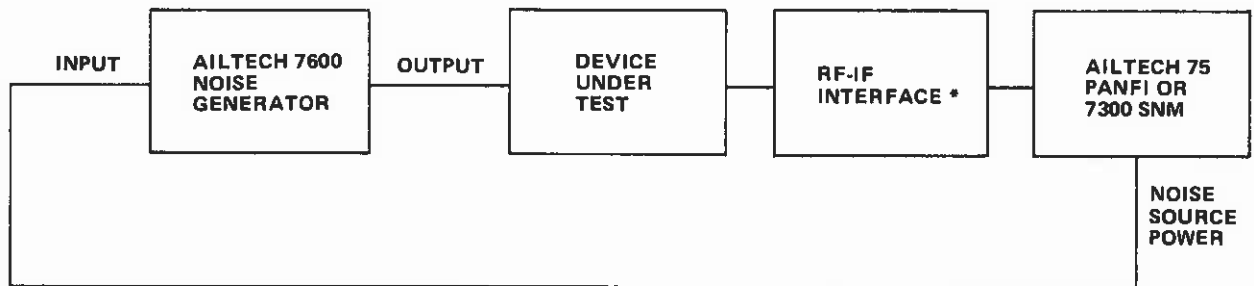
1. If there is a DC voltage present on the center conductor of the DUT input connector, a DC block should be inserted between the Noise Generator OUTPUT and the DUT input to prevent damage to the Noise Generator. The RF loss (in dB) of the DC block should then be subtracted from the calibrated ENR of the Noise Generator to obtain the actual ENR for measurement purposes.
2. If there is a possibility of large amounts of RF power (i.e., greater than 2 watts peak, 1/2 watt average) being present at the DUT input, the Noise Generator should be protected by an appropriately rated isolator. The RF loss (in dB) of the isolator should be subtracted from the calibrated ENR of the Noise Generator to obtain the actual ENR for measurement purposes.

3-7. Figure 3-1 illustrates two setups that can be used for noise figure or effective input noise temperature measurements by means of the manual Y-factor technique. Figure 3-2 shows a setup which measures noise figure directly. Figure 3-3 is a typical arrangement for automated noise figure or simultaneous noise figure and gain measurements over a band of frequencies using the IEEE STD-488 Interface Bus.



\*REFER TO PARAGRAPH 3-8

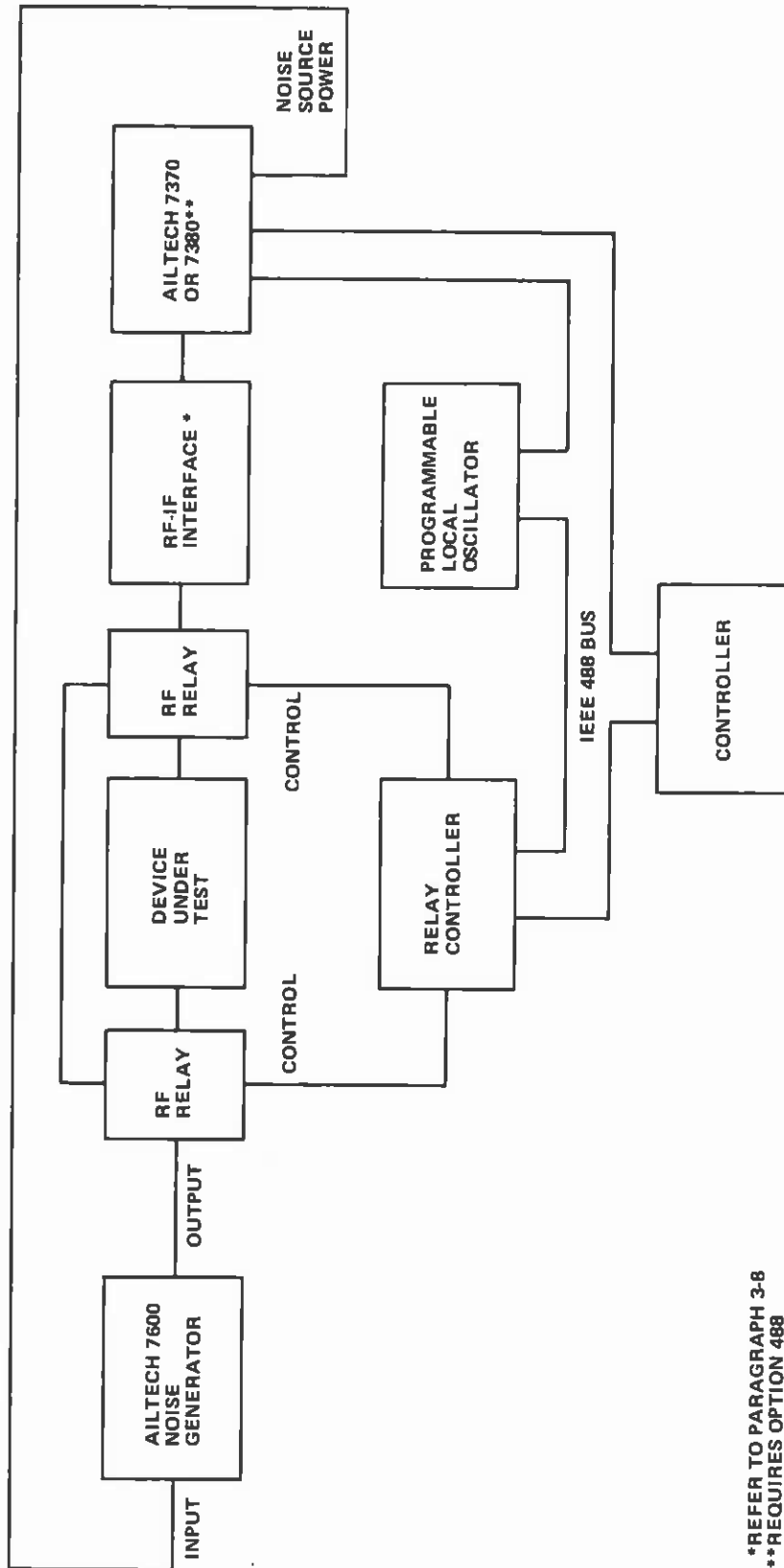
Figure 3-1. Typical Manual Measurement Setups



\*REFER TO PARAGRAPH 3-8

Figure 3-2. Typical Noise Figure (Direct Reading) Setup





\*REFER TO PARAGRAPH 3-8  
 \*\*REQUIRES OPTION 488

Figure 3-3. Typical Automated Setup for Noise Figure (7370) or Simultaneous Noise Figure and Gain (7380) Measurements

### 3-8. RF-IF INTERFACE

3-9. Most accurate, precision receiver noise measuring instruments operate at one of the accepted intermediate frequencies, typically 30 MHz. If the DUT output frequency is not compatible with the input frequency of the indicator (Test Receiver, PANFI, or SNM), a mixer-preamplifier (with an appropriate local oscillator, if required) must be inserted ahead of the indicator. Refer to paragraph 3-11.

3-10. Receiver noise measuring instrumentation has a minimum sensitivity level. If the DUT output is below this level (see the specifications for the indicator used), the measurement will be in error. It will then be necessary to add gain ahead of the indicator. Refer to paragraph 3-11.

3-11. A line of preamplifiers, mixers, high-sensitivity options, etc., is available for the purposes described above. Consult the AILTECH Noise Figure Instrumentation brochure, if the indicator is a 136 Precision Test Receiver or 75 PANFI, or the System Noise Monitoring brochure, if the indicator is a 7300 SNM, for details on these features.

### 3-12. MANUAL Y-FACTOR TECHNIQUE

3-13. Connect the equipment as indicated in Figure 3-1. With the Noise Generator turned off (MANUAL OFF using the 75 PANFI or 7300 SNM); i.e., 0 volts applied to the BNC INPUT, set the Precision Attenuator (integral to the 13611 Precision Test Receiver) to a convenient reference indication – typically, 10 dB.

3-14. Adjust the indicator gain for an on-scale reference reading.

3-15. Energize the Noise Generator by applying +28 volts to the BNC INPUT (MANUAL ON using the 75 PANFI or 7300 SNM).

3-16. Increase the setting of the Precision Attenuator until the indicator returns to the reference noted in paragraph 3-14. The *change* in the Precision Attenuator setting is the Y-factor in dB.

3-17. Read the calibrated ENR (dB) from the chart on the body of the Noise Generator or the Calibration Record accompanying the unit. Because of the high degree of ENR flatness with frequency of AILTECH 7600 Noise Generators, straight-line interpolation may be used to determine the ENR if the operating frequency differs from one of the calibration points.

3-18. Use equation (3-1) to determine noise figure or equation (3-2) to determine effective input noise temperature. Note that in both equations Y-factor is expressed as a power ratio, and the change noted in paragraph 3-16 must be appropriately converted from dB. Note also that equation (3-2) requires conversion of the ENR to a power ratio.

$$F_{dB} = ENR_{dB} - 10\text{LOG}_{10}(Y-1) \quad (3-1)$$

$$T_e = \left( \frac{ENR}{Y-1} - 1 \right) 290 \quad (3-2)$$

3-19. Alternatively, the nomograph in Figure 3-4 or the AILTECH Noise Figure Slide Rule in Figure 3-5 may be used to calculate either quantity. The slide rule is available from:

Eaton Corporation  
Electronic Instrumentation Division  
19535 East Walnut Drive,  
City of Industry, Ca. 91748

### 3-20. DIRECT READING AND AUTOMATED MEASUREMENTS

3-21. The AILTECH 7600 Series Noise Generators can also be used with instruments such as the AILTECH 75 PANFI and 7300 System Noise Monitors to provide real-time, direct reading noise figure measurements. The Noise Generators can also be used in automated setups based on the 7370 and 7380 System Noise Monitors equipped with the optional IEEE-STD-488 Interface Bus. The setups are outlined in Figures 3-2 and 3-3. Refer to the Instruction Manual applicable to the specific Monitor or PANFI in use for detailed operating instructions.

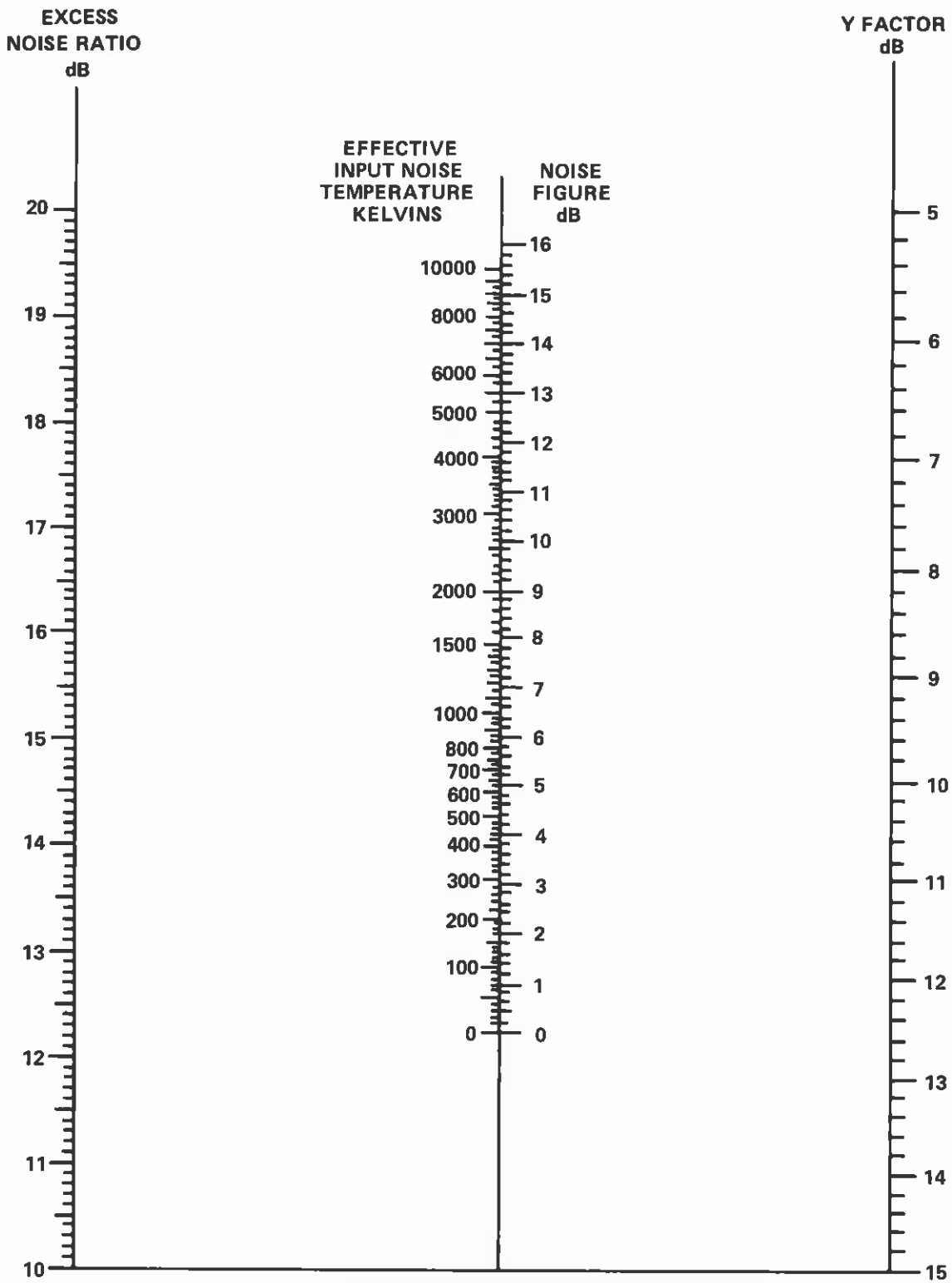


Figure 3-4. Nomograph for Determining Noise Figure or Temperature

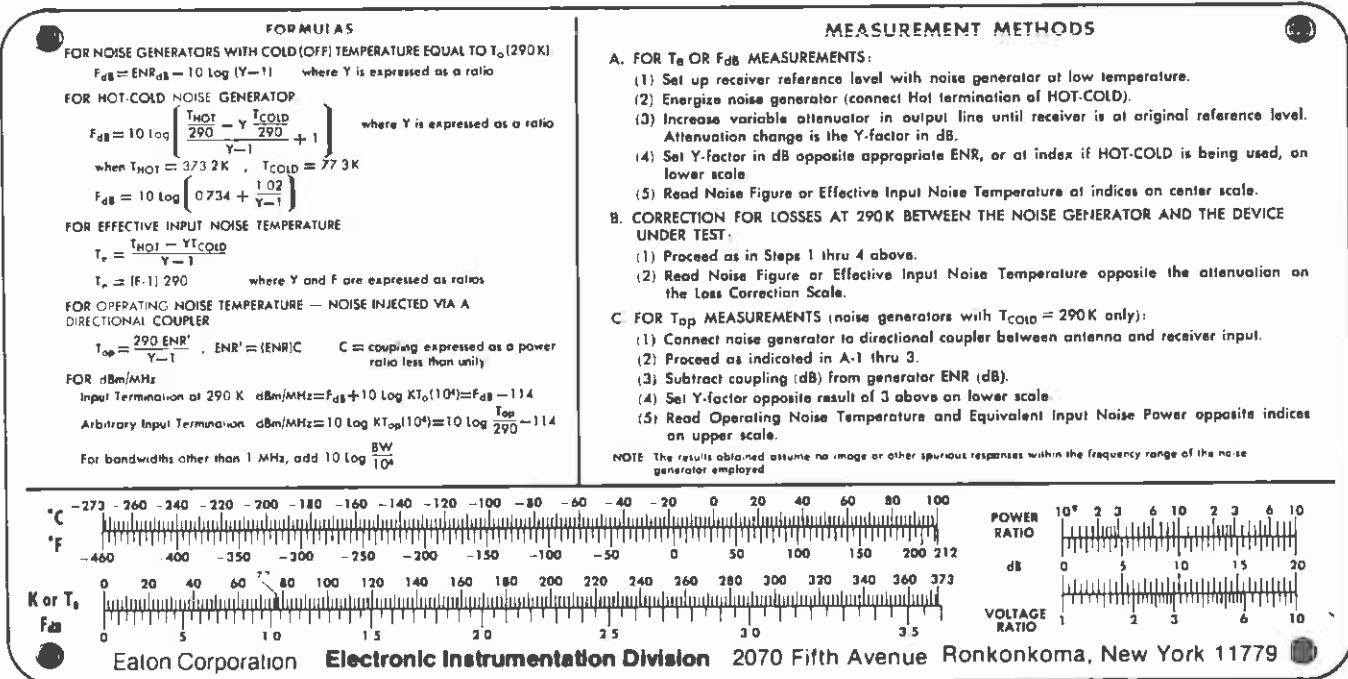
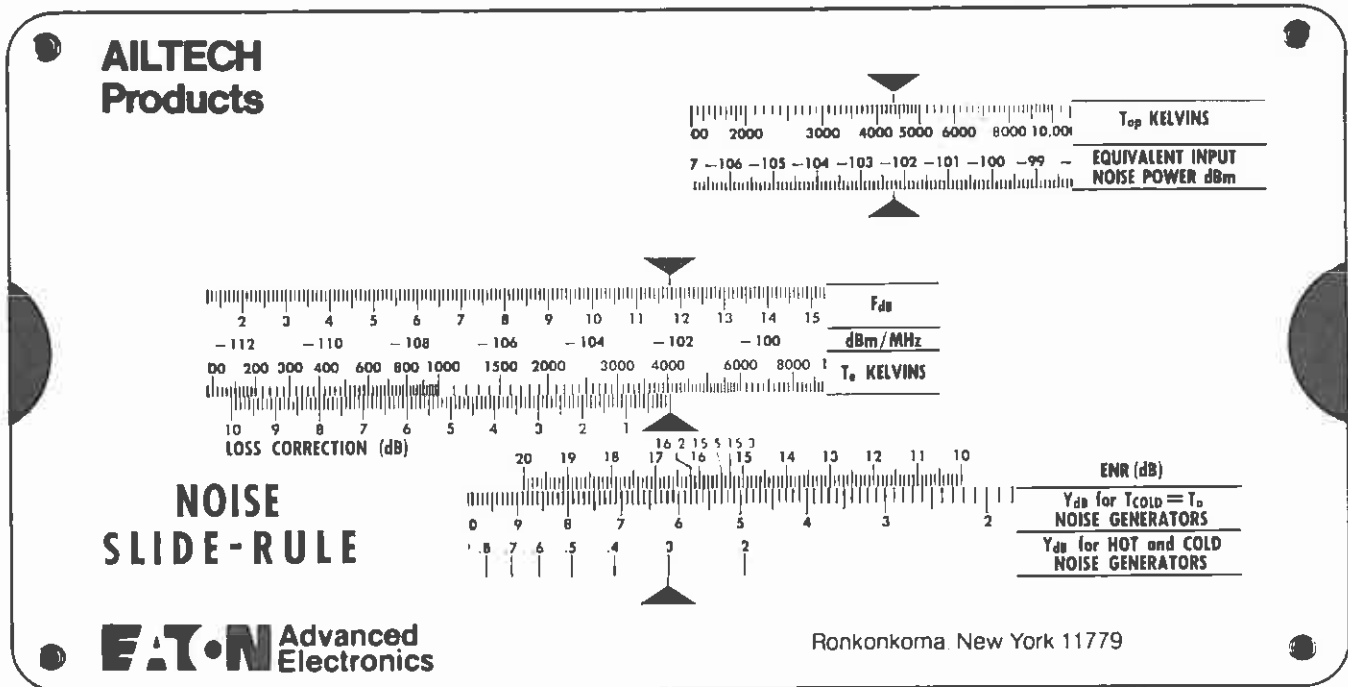


Figure 3-5. AILTECH Noise Figure Slide Rule

SECTION 4

THEORY OF OPERATION

4-1. GENERAL DESCRIPTION

4-2. The AILTECH 7600 Series Noise Generators are made up of a diode module containing the noise generating element and a bias network, and a coaxial attenuator. An aluminum case slides over the assembled units to maintain the integrity of their interconnection and to provide general protection against physical damage in the event of mishandling. The block diagram of the Noise Generator is shown in Figure 4-1.

4-3. DIODE MODULE

4-4. The diode module is assembled in a rectangular, gold-plated, machined case. The case contains two compartments: one, housing the bias network; the other, the noise generating diode. Separation of the bias network from the diode helps insure an RF *tight* structure and noise output stability.

4-5. The stability and precision of the noise output is also insured by utilization of precision resistors in the bias network. These resistors are selected at test for best overall flatness of the noise output over the applicable frequency range.

4-6. The bias network supplies controlled current to the noise diode network – a hybrid, microwave integrated circuit. When power is applied, the diode breaks over into the avalanche mode producing a broad flat noise spectrum with an equivalent ENR in the range of 27 to 35 dB depending upon the model. The noise is coupled via microstrip to the diode module output connector.

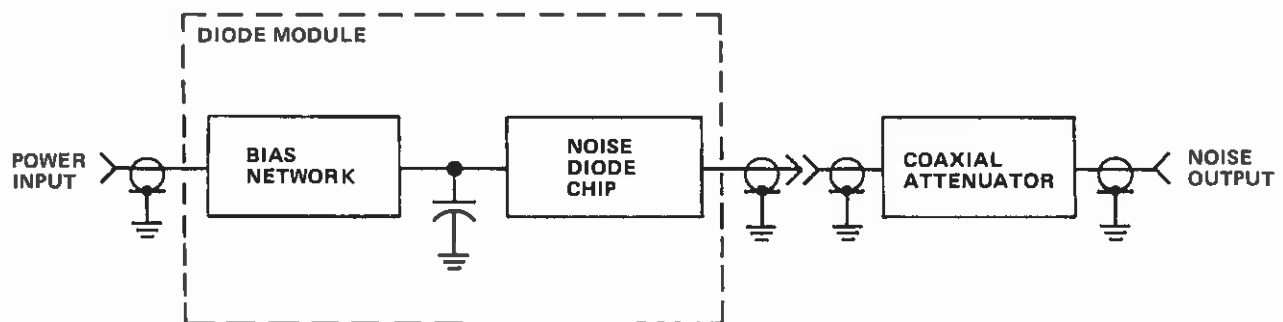


Figure 4-1. AILTECH 7600 Noise Generator Block Diagram

**4-7. COAXIAL ATTENUATOR**

4-8. The diode module output is connected to a high quality, stable, precision attenuator. The purpose of the attenuator is three-fold:

1. It reduces the ENR to a level compatible with most industry-accepted noise measuring instruments.
2. It reduces the output VSWR to the very low values required for accurate noise measurements.
3. It maintains the output impedance essentially constant as the noise generator is switched on and off (there will be some small shifts in reflection coefficient magnitude and/or phase; however, these will be negligible for almost all applications).

## SECTION 5

### MAINTENANCE AND ADJUSTMENTS

#### 5-1. GENERAL

5-2. Because of the integrated construction of the noise generators, and the complexity of the test equipment required for maintenance and calibration; troubleshooting (beyond the Initial Checkout of paragraph 2-9) and field repair are not recommended.

#### 5-3. FACTORY SERVICE

5-4. In the event a unit fails the checkout procedure (paragraph 2-9) or a malfunction is suspected, contact your nearest Eaton Corporation, Electronic Instrumentation Division Regional Office or Sales Representative by letter, TWX or phone. Please indicate the model number, serial number and specific details of the difficulty involved.

5-5. Should it be necessary to return the equipment for repair or recalibration, please contact Eaton Corporation, Electronic Instrumentation Division or an authorized sales representative in your area before shipping a unit. In your communication arranging for a return, please be sure to include model number, serial number, date of purchase and specific details concerning the problem (in the event of failure) or service desired (in the event of recalibration).

5-6. When an instrument is returned for service, we will proceed to work on the instrument until the charges reach \$100. If the total charges exceed \$100., an estimate of such charges will be submitted for approval.



**SECTION 6**

**REPLACEABLE PARTS**

6-1. There are no recommended spares or field replaceable parts for the AILTECH 7600 Series Noise Generators.