

# E5071C ENA Vector Network Analyzer

9 kHz to 4.5/6.5/8.5 GHz

100 kHz to 4.5/6.5/8.5 GHz (with bias tees)

300 kHz to 14/20 GHz (with bias tees)

The industry standard in RF network analysis



## Product Discontinuance Notice

The E5071C ENA and all associated options will be discontinued, and the last date this product can be ordered is May 31, 2021. For new product purchases, Keysight recommends the E5080B ENA Series Vector Network Analyzer. (2- or 4-ports, up to 53 GHz)

For more information, as well as to access to detailed migration guides, please visit:

[www.keysight.com/find/e5080b](http://www.keysight.com/find/e5080b)



For more information:

Contact your NSCA & Tra-Cal Small Business Partner: Email [info@nscainc.com](mailto:info@nscainc.com)

or call your local sales rep today at 301-527-9200.



## ENA – New Standards in Speed, Accuracy and Versatility

Keysight's E5071C ENA vector network analyzers deliver new standards in speed, accuracy and versatility for RF network analysis. Designed with a wide range of measurement capability to meet multiple network analysis needs, the ENA offers efficiency and flexibility for both manufacturing and R&D applications in industries such as wireless communication, automotive, semiconductor, and medical.


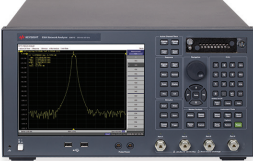

### Key features

- Wide frequency coverage: 9 kHz to 20 GHz
- Low trace noise: < 0.004 dB rms at 70 kHz IFBW
- Wide dynamic range: > 123 dB
- Fast measurement speed: 9 msec for 401 points with error correction
- High temperature stability: 0.005 dB/°C
  
- 2 or 4 ports, plus flexible multiport configuration of up to 22 ports with E5092A
- Built-in VBA programming environment enables high throughput and UI customization
- Powerful analysis and error correction
- Advanced characterization of mixers (such as the vector mixer calibration) and amplifiers with frequency offset mode (optional)
- Advanced characterization of high-speed serial interconnects with enhanced time domain analysis (optional)
- Upgrade are available for all E5071C options at any time



# Flexible Test Port Architecture for a Variety of Applications

Select the number of ports, frequency and bias tees to fit your application

	Number of ports		Frequency range					Option numbers			
	9 kHz	100 kHz	300 kHz	50 MHz	4.5 GHz	6.5 GHz	8.5 GHz	14 GHz	20 GHz		
 <p>2-Port</p>										E5071C-240	
										with bias tees	E5071C-245
											E5071C-260
										with bias tees	E5071C-265
											E5071C-280
										with bias tees	E5071C-285
 <p>4-Port</p>										E5071C-440	
										with bias tees	E5071C-445
											E5071C-460
										with bias tees	E5071C-465
											E5071C-480
										with bias tees	E5071C-485
 <p>22-Port</p>										E5071C-440 or -445 E5092A	
										with bias tees	E5071C-460 or -465 E5092A
											E5071C-480 or -485 E5092A
										with bias tees	E5071C-4D5 E5092A
											E5071C-4K5 E5092A
										with bias tees	E5071C-4K5 E5092A

# Enhanced Usability Increases Efficiency in R&D & Manufacturing

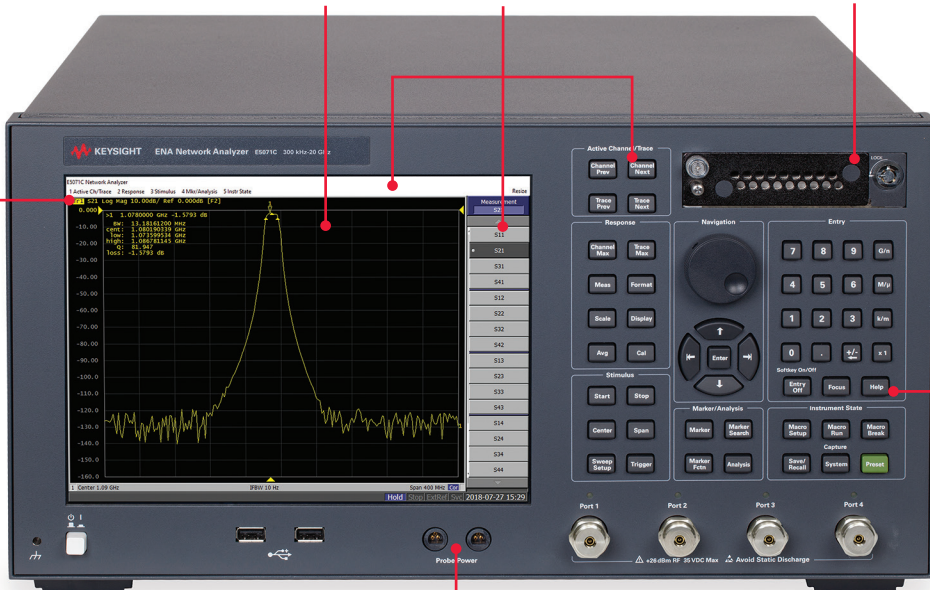
Providing the latest in modern technology, Keysight E5071C ENA vector network analyzer provide the performance and features needed in R&D and manufacturing for wide range of applications.

10.4 inches XGA color LCD with touch screen

160 measurement channels and 16 measurement traces

Intuitive user interface: hard keys, soft keys, and pull-down menus

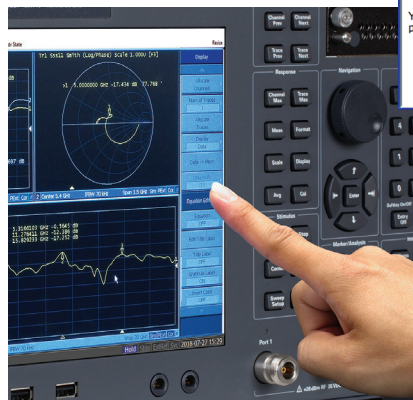
Removable storage for secure environments (optional)



Dual probe power source

The ENA's intuitive user interface lets you easily set up complex measurements and quickly retrieve measurement data.

Context sensitive embedded help



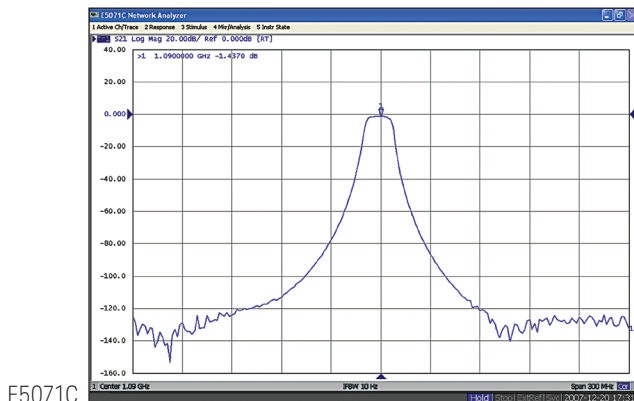


# ENA – New Standards in Speed and Accuracy

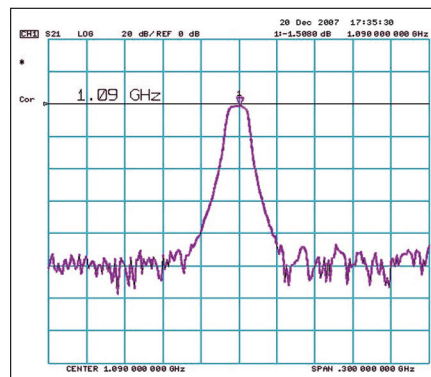
Keysight’s new generation of network analyzers meets and exceeds what was possible with the 8753 family. Carrying on the family tradition, the ENA delivers new standards in speed, accuracy and versatility for RF network analysis.

## Wide dynamic range

>123 dB dynamic range provides more precise evaluation of high rejection filters.



E5071C

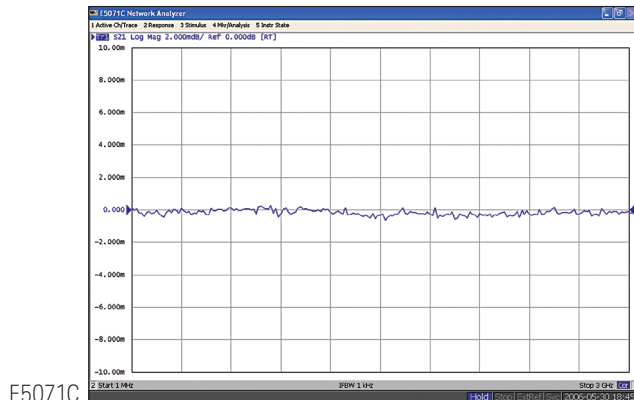


8753ES

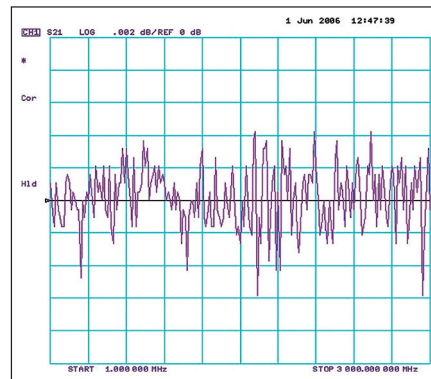
Dynamic range comparison: IFBW = 10Hz

## Low trace noise

<0.004 dBrms at 70 kHz IFBW helps minimize errors when measuring high-quality, low loss devices.



E5071C



8753ES

Trace noise comparison: IFBW = 1 kHz

## High stability

4 times better long-term temperature stability than the 8753ES for more confident evaluations.

E5071C 0.005 dB/°C

8753ES 0.02 dB/°C

Stability versus temperature

## Fast measurement speed

More than 20 times faster than the 8753ES to increase your throughput and lower your cost per component.

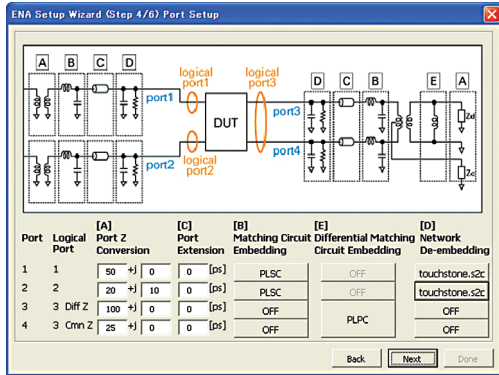
E5071C 41 msec

8753ES 848 msec

Measurement speed comparison:  
1601 pts, Full-2 port cal, 1 GHz to 1.2 GHz  
IFBW = 6 kHz (8753ES), 500 kHz (E5071C)

# Enhanced Measurement Capability for a Variety of Applications

The Keysight E5071C ENA combines the highest RF performance with powerful analysis capabilities and automated test tools that increase test efficiency and yield.



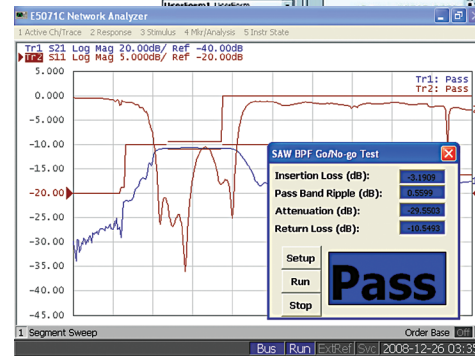
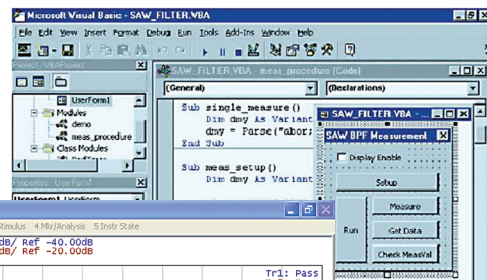
Fixture simulator settings with the setup wizard



High-performance ECal modules dramatically simplify the calibration process



Impedance value display



Built-in VBA programming and customizable user interface

## Powerful analysis capabilities

- Fixture simulator for
  - Mixed-mode S-parameter measurements
  - Embedding and de-embedding
  - Matching circuit simulation
  - Port impedance conversion
- Equation editor for real-time data processing
- Time-domain analysis (optional)
- Enhanced time domain analysis (optional)
- Absolute value measurement
- 75 Ω measurement with a minimum loss pad
- Modeling devices with Keysight Advanced Design System (ADS) and IC-CAP
- Dielectric and magnetic properties measurement with Keysight materials measurement software

1. 4-port option required.  
2. E5071C-008 frequency offset mode required.

## State-of-art calibration techniques

- Up to full 4-port SOLT, TRL, or unknown thru calibration
- Automatic port extension
- Adapter removal or insertion
- ECal module with various connector types or user-characterized ECal for use with any adapter
- Scalar mixer calibration and patented vector mixer calibration?

## Test automation tools

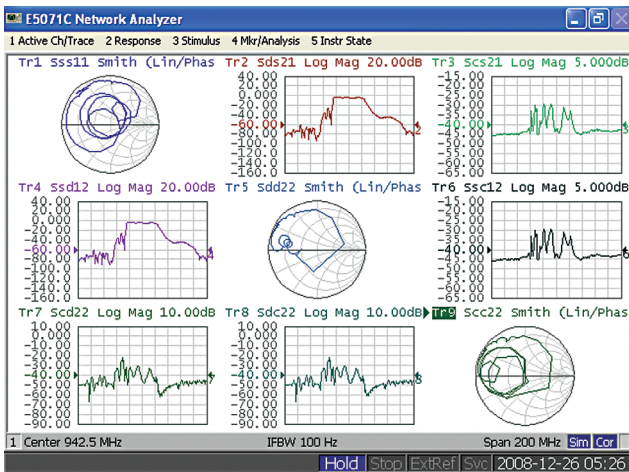
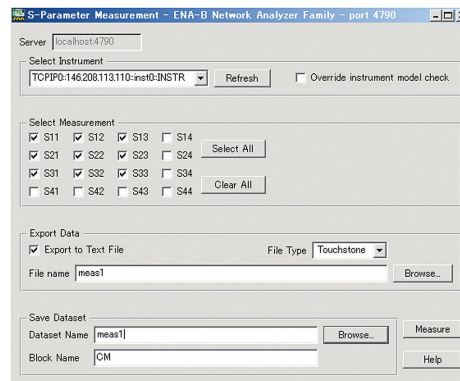
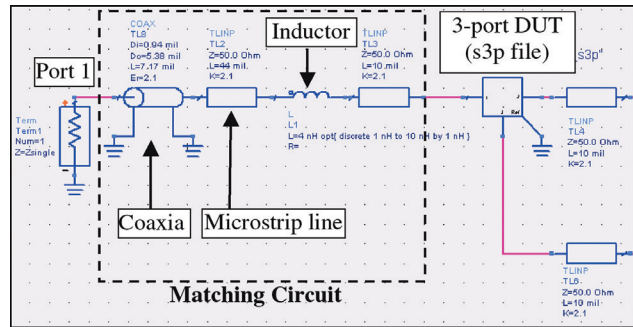
- Easy-to-use built-in VBA programming environment for fast post data processing
- Measurement Wizard Assistant (MWA) software for multipoint measurement system (optional)
- Pre-defined limit test functions for pass/fail testing in production

# Accurate and Efficient Component Design and Verification

## Circuits

With a combination of speed, accuracy, and advanced functionality, the ENA provides powerful general-purpose network analysis. The ENA offers extensive measurement capabilities, analysis features, and post data processing capabilities for effective design characterization.

The ENA has real-time fixture simulation capability, which lets you specify components as they are used in actual circuits. Bundled VBA macros and analysis functions enable fast, easy post data processing. Measured data is easily shared with EDA tools, such as Keysight's Advanced Design System (ADS). This enables you to quickly link measurement results back to your simulations to improve your designs and accelerate design verification.



## Accelerate design verification

Simplify complicated measurement procedures and reduce your test program development time.

- Free sample programs on the Keysight Web site
- Equation editor for real-time data processing
- Powerful connectivity with Windows OS; USB, LAN, GPIB, and a Web based remote user interface

## Industry-leading RF performance

Design high-performance products with confidence.

- State-of-the-art calibration techniques for the highest measurement accuracy
- Automatic port extension for in-fixture devices
- Fixture simulator for embedding or de-embedding user-defined circuits

## Completely upgradeable at any time

Keep up with rapidly changing device requirements and parameters.

- Upgrade to current E5071C hardware or software options at any time

**Application Note:** Network Analysis – Calibration – Specifying Calibration Standards and Kits for Keysight Network Analyzers, AN 1287-11, <http://literature.cdn.keysight.com/litweb/pdf/5989-4840EN.pdf>

**Application Note:** Network Analysis – De-embedding and Embedding S-parameter Networks Using a Vector Network Analyzer, AN 1364-1, <http://literature.cdn.keysight.com/litweb/pdf/5980-2784EN.pdf>

# Industry-Leading Rf Performance for the Highest Throughput and Yield

## Passive components

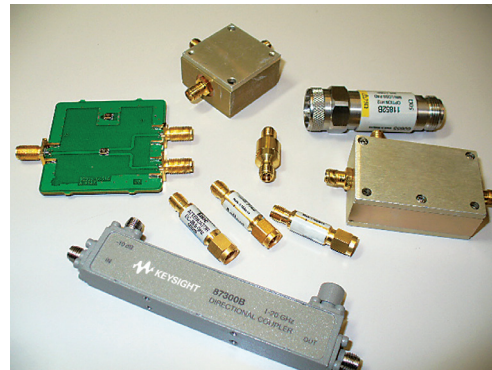
The ENA is ideal for high-volume passive component test. Superior measurement performance contributes the highest throughput increasing your production capability. High repeatability and stability improve test yield.



## Best-in-class RF performance

Increase test throughput and reduce the overall cost of test.

- Fast measurement speed
- Built-in VBA for easy automation and fast data processing
- Pre-defined limit test functions to meet your test requirements
- Segment sweep function to optimize stimulus setting
- ECal for reduced calibration times



## High repeatability increases test yields

Improve test yields with superior measurement performance.

- Low trace noise
- Wide dynamic range
- High temperature stability

## Easy, accurate in-fixture calibration

Reduce measurement errors.

- 4-port TRL calibration for multiport calibration
- Automatic port extension (APE) for easy calibration
- Adapter removal/insertion for accurate mixed-connector calibration

**Application note:** Evolution of Test Automation Using the Built-In VBA with the ENA Series RF Network Analyzers,  
<http://literature.cdn.keysight.com/litweb/pdf/5988-6192EN.pdf>

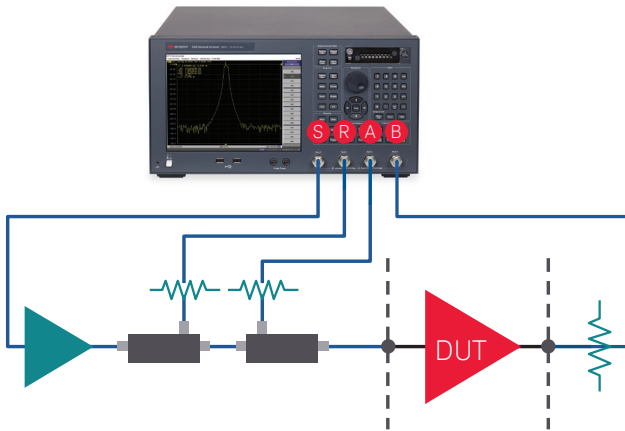


# Basic and Advanced Measurement Utilities Enable Thorough Device Characterization

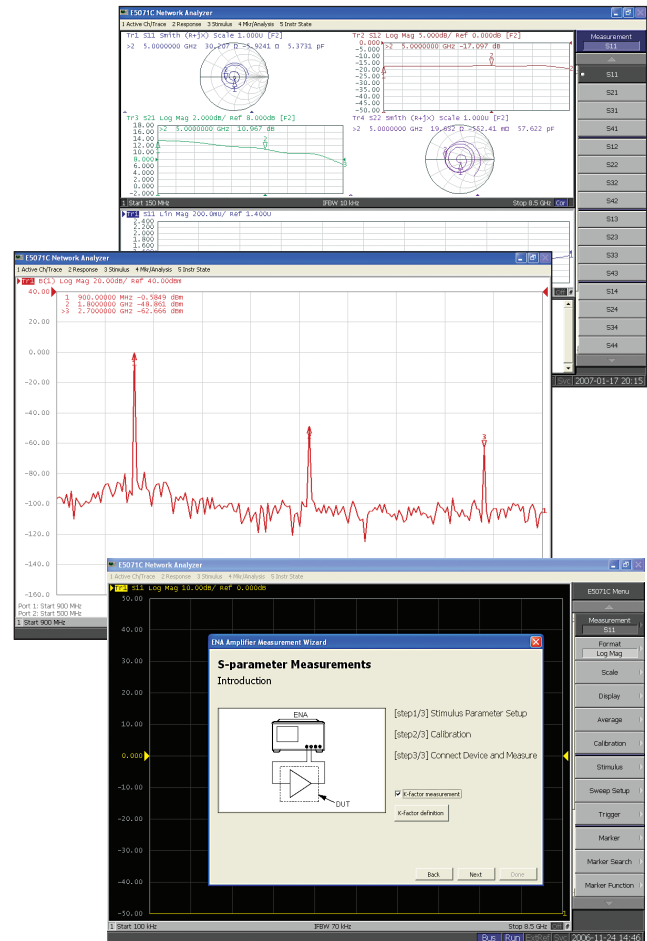
## Amplifiers

RF amplifiers are used in a wide variety of industries. Whether characterizing the amplifier performance for wireless communication systems, medical equipment or automotive use, their characterization is always a significant stage in the design and verification process of complete systems.

The ENA features the basic measurement fundamentals for P1dB, PAE or K-factor as well as advanced techniques and built-in functions that simplify the total characterization of your amplifiers.



High-power measurement using external test set mode



## Advanced measurement utilities

Simplify the total characterization of your amplifiers with built-in functions.

- DC voltage measurement capability
- Built-in bias tee option
- External test set mode for high-power measurements
- Trigger lines for complicated testing

## Powerful data processing

Quickly and easily process post measurement data.

- Amplifier measurement wizard program
- Equation editor for user-defined parameters

## Easy software connectivity

Quickly link measurement results back to your simulations.

- Intuilink software
- ADS link with Advanced Design System software

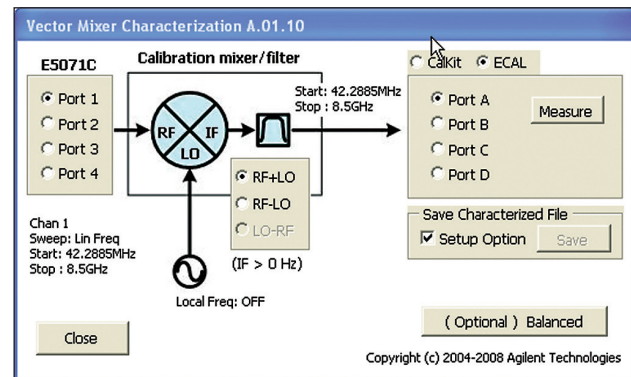
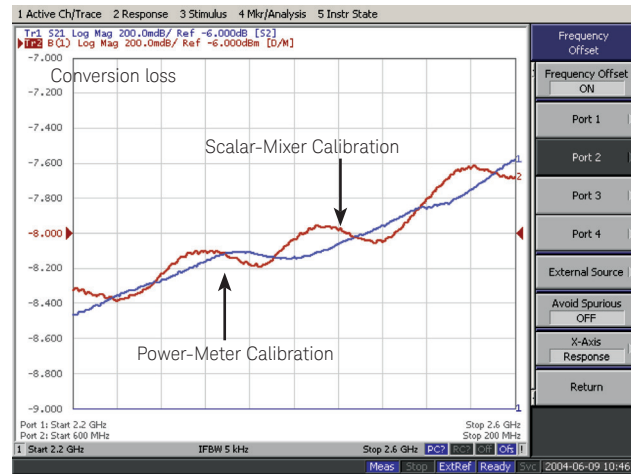
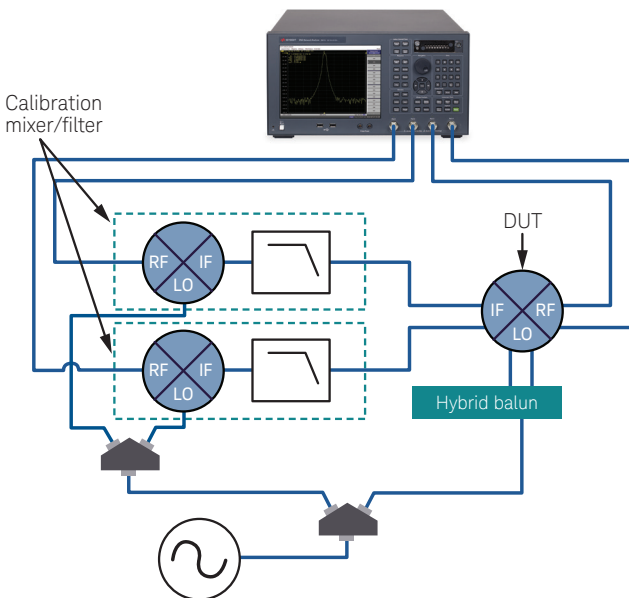
**Application note:** Advanced Measurement Techniques for RF Amplifiers Using Unique Functions of the Keysight E5071C ENA, <http://literature.cdn.keysight.com/litweb/pdf/5989-6522EN.pdf>

# State-Of-The-Art Measurement Capability

## Mixers and converters

Frequency converting devices such as mixers are used in many applications. These components require unique measurement techniques because they have different frequencies at the input and output ports.

The ENA offers several measurement methods for accurate characterization of these devices. Advanced calibration methods including Keysight patented vector mixer calibration (VMC) provide more accurate measurement results of your devices than conventional calibration methods.



## Powerful built-in software functions

Reduce setup and measurement times.

- Frequency offset mode (FOM) option
- Balanced mixer measurement
- Absolute group delay measurement

## Easy-to-use analysis software

Reduce your operating time.

- Mixer measurement wizard program
- Vector mixer characterization program

## State-of-the-art calibration

Accurately characterize frequency converting devices.

- Power and receiver calibration
- Scalar mixer calibration (SMC) for match corrected amplitude measurement
- Vector mixer calibration (VMC) for single-ended and balanced mixer measurement

**Application Note:** Accurate Mixer Measurements Using the Frequency-Offset Mode,

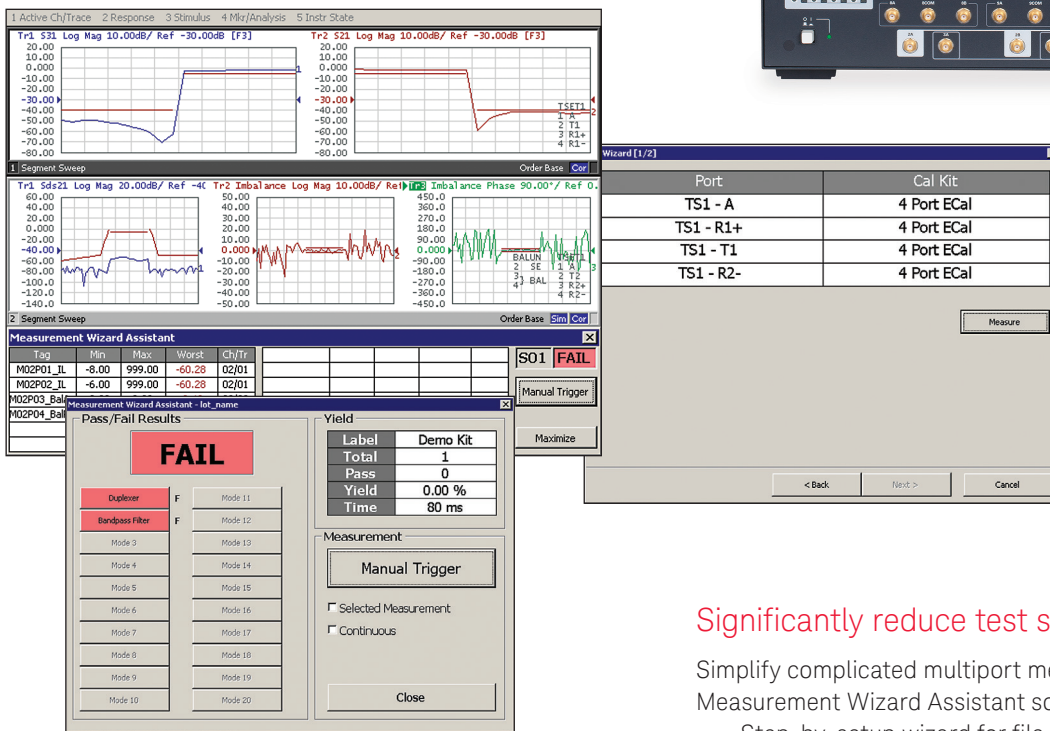
<http://literature.cdn.keysight.com/litweb/pdf/5989-1420EN.pdf>

# Expand Your Measurement Capability with the Ena Multiport Solution

## Multiport devices

Today's devices often have multiple functionality integrated into a single component resulting in multiple RF ports. For multiport network analysis, measurement setup time is usually much longer than the actual testing time.

When the ENA is combined with the E5092A configurable multiport test set, they form comprehensive multiport solution. The ENA's Measurement Wizard Assistant (MWA) software simplifies complicated measurement procedures for multiport characterization.



## Flexible multiport configuration

Meet the increasing, changing demands of multiport devices.

- E5092A configurable multiport test set
- Up to 10-port full crossbar measurement
- Up to 22-port measurement capability

## Significantly reduce test setup times

Simplify complicated multiport measurements with Measurement Wizard Assistant software.

- Step-by-setup wizard for file setup
- Automatic parameter setup for the ENA
- Calibration wizard
- Detailed analysis of the measurement results

## Easily expand up to 40 ports

Meet future demands with expandable multiport capability.

- Cascade two E5092As for more ports
- Up to 16-port full crossbar measurement
- Up to 40-port measurement capability

**Application Note:** Comprehensive Multiport Solution for the ENA Network Analyzer,  
<http://literature.cdn.keysight.com/litweb/pdf/5989-8737EN.pdf>

**Application Note:** Measurement Wizard Assistant software,  
<http://literature.cdn.keysight.com/litweb/pdf/5989-4855EN.pdf>

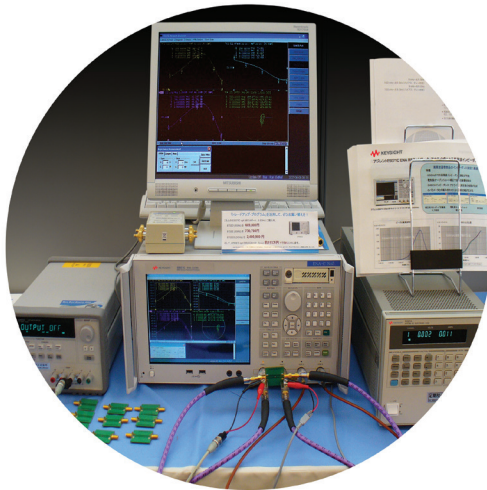
# Evaluate Performance Under Actual Working Conditions

## EMC components

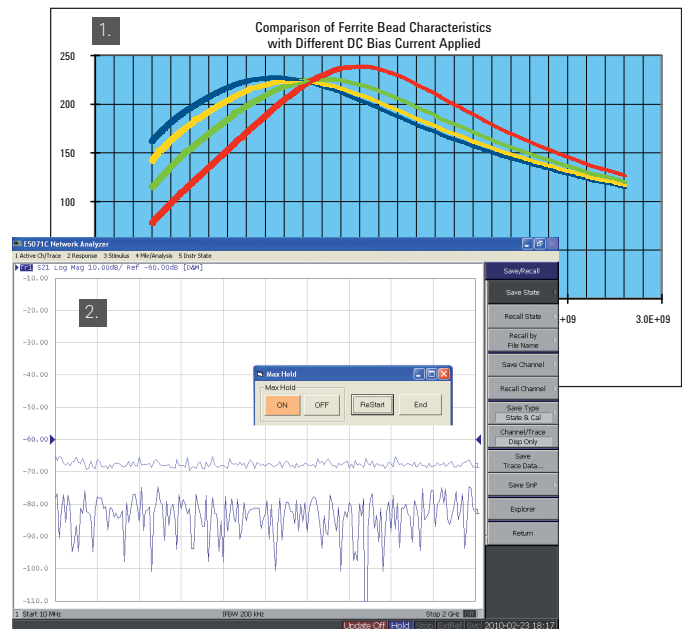
Electro-magnetic compatibility (EMC) is a key specification in broadband wireless communication and automotive electronics, where EMC components play an important role in meeting strict standard requirements. The ENA's powerful analysis functions help you determine the true performance of your product under the actual working conditions.



VBA sample programs



DC-biased measurement setup



1. Evaluate EMC components, 2. Display MaxHOLD trace

## Broad operating frequency coverage

Evaluate a wide range of applications.

- Down to 9 kHz/100 kHz (with bias tees)
- Upgradeable to higher frequency

## Easy-to-use assistant programs

1. Evaluate EMC components under actual bias conditions VBA sample program.

- Impedance format display with bias current control function
- External DC source control via GPIB<sup>1</sup>/USB or LAN interface

2. Display MaxHOLD trace VBA sample program

- Both GUI and remote control functions are available<sup>2</sup>
- Useful for the EMC site evaluation and the site VSWR measurement. (eg. CISPR16-1-4)

## Powerful balance measurement analysis

Reduce the complexity of measurements for balanced components.

- 4-port embedding/de-embedding to remove unwanted fixture effects or to simulate circuit effects
- Impedance value display
- Common mode rejection ratio (CMRR) measurement

**Application Note:** Introduction to the Fixture Simulator Function of the ENA Series RF Network Analyzers: Network De-embedding/Embedding and Balanced Measurement, <http://literature.cdn.keysight.com/litweb/pdf/5988-4923EN.pdf>

1. Keysight 82357B USB-GPIB interface is necessary.
2. Display the maximum of any given active measurement. The held trace is displayed as a memory trace.



# Obtain Confidence in Design Through Complete Characterization of High-Speed Serial Interconnects

## High-speed serial interconnects

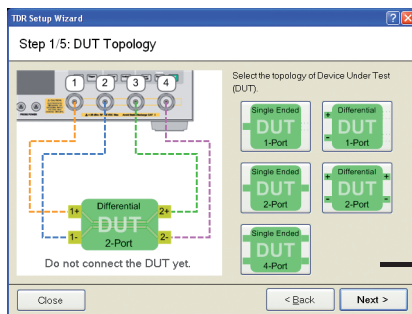
As bit rates of digital systems increase, signal integrity of interconnects drastically affects system performance. Fast and accurate analysis of interconnect performance in both time and frequency domains become critical to ensure reliable system performance.

Because managing multiple test systems becomes difficult, a single test system that can fully characterize differential high speed digital devices is a very powerful tool.

The Enhanced time domain analysis option provides an one box solution for high speed interconnect analysis, enabling time domain, frequency domain, and eye diagram analysis.

The Enhanced time domain analysis option provides the following three breakthroughs for signal integrity design and verification:

- Simple and Intuitive Operation
- Fast and Accurate Measurements
- ESD Robustness



The Setup Wizard guides the user through all of the required steps.

## Simple and Intuitive Operation

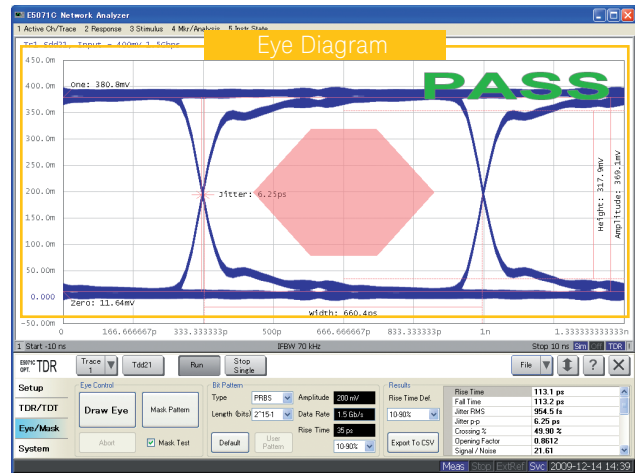
TDR oscilloscope look-and-feel.

- Dedicated controls for common adjustments
- Automatic display allocation for most common measurement parameters
- The Setup Wizard guides the user through all the required steps, making setup, error correction, and measurement intuitive and error free

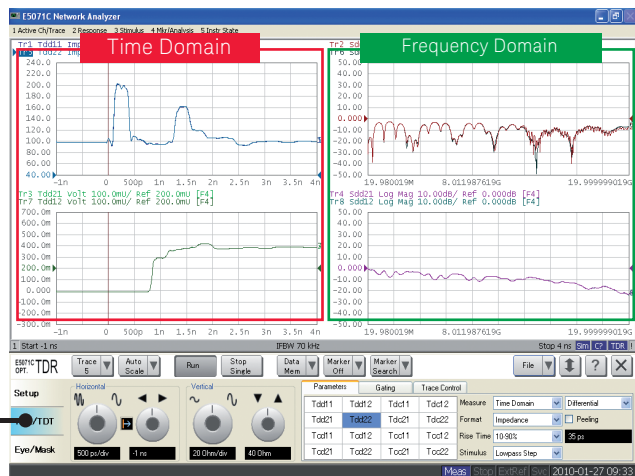
## ESD Robustness

Protection circuits implemented inside the instrument.

- Proprietary electrostatic discharge (ESD) protection chip to significantly increase ESD robustness, while at the same time maintaining excellent RF performance



Simulated eye diagram analysis using the virtual bit pattern generator



Simultaneous analysis of both time and frequency domains

## Fast and Accurate Measurements

Delivers new standards in speed, accuracy, and versatility.

- Wide dynamic range to observe the true performance of your device
- Low noise floor for accurate and repeatable measurements
- Fast measurement speed for real-time analysis
- State-of-the art calibration techniques to reduce measurement errors

For additional information regarding the Enhanced time domain analysis option, visit: [www.keysight.com/find/ena-tdr](http://www.keysight.com/find/ena-tdr)

## Accurate, Easy-To-Use Solution for on Wafer Test

### On-wafer measurements

For successful evaluation of on-wafer semiconductor or RF MEMS devices, the total accuracy of your measurement system and easy operation are crucial. The ENA offers state-of-the-art features for accurate measurements and compatibility with many probe systems.

### On-wafer measurements

A complete solution for your on-wafer measurements.

- Accurate calibration at probe tips
- Supported by IC-CAP and ADS connection manager
- Supported by popular on-wafer calibration software
- Two GSGSG probe contacts using a 4-port test set

**Application Note:** In-Fixture Characterization Using the ENA Series RF Network Analyzer with Cascade Microtech Probing System, <http://literature.cdn.keysight.com/5988-6522EN.pdf>

For additional information regarding Cascade Microtech, visit: [www.cascademicrotech.com](http://www.cascademicrotech.com)

### Simple Material Evaluation

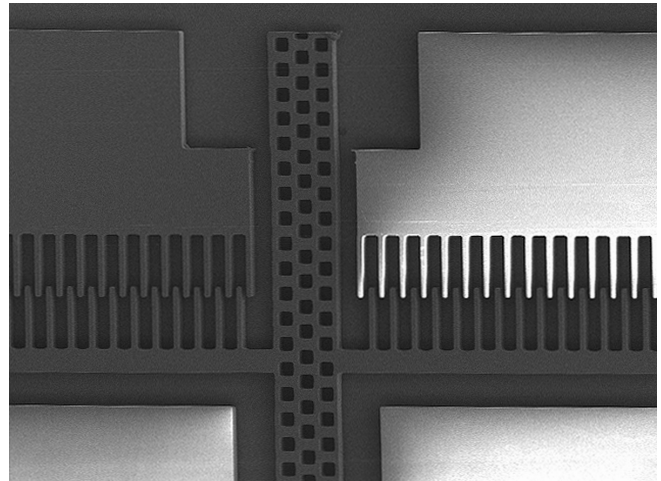
### Material measurements

Simplify your material test in the RF range by combining the ENA with ready-to-use Keysight materials measurement software and probe kits. The ENA's highly-accurate measurements will help you determine the highest performing materials for your application, shortening your design time.



N1501A Dielectric Probe Kit

For additional information regarding material software, visit: [www.keysight.com/find/materials](http://www.keysight.com/find/materials)



Keysight ENA and Cascade Sumimit 12000

### Dielectric Constant

Measure the dielectric characteristics over a wide frequency range.

- Supported by N1500A Materials Measurement Suite and the N1501A dielectric probe kit

## Key Specifications



Item	E5071C Option 240/245/ 440/445	E5071C Option 260/265/ 460/465	E5071C Option 280/285/ 480/485	E5071C Option 2D5/4D5	E5071C Option 2K5/4K5	8753ES <sup>3</sup>
Test frequency	9 or 100 kHz to 4.5 GHz	9 or 100 kHz to 6.5 GHz	9 or 100 kHz to 8.5 GHz	300 kHz to 14 GHz	300 kHz to 20 GHz	30 kHz to 6 GHz
Source power range <sup>1</sup>	- 55 dBm to +10 dBm			-85 dBm to +10 dBm		-85 dBm to +10 dBm
Dynamic range	>123 dB					110 dB
Trace noise	< 0.004 dBrms					0.006 dBrms
Measurement speed <sup>2</sup>	41 ms					848 ms
Stability	0.005 dB/degree C					0.02 dB/ degree C
Interface	GPIB/LAN/USB					GPIB
Test port	2- or 4-port					2- or 3-port
Max number of points	20,001					1,601
Max number of channels	160					2
Calibration	SOLT, TRL, Adapter removal/insertion, Unknown thru, ECal, User characterized ECal, SMC, VMC					SOLT, TRL, Adapter Removal
Web-enabled control	Yes					No
Fixture simulator	Yes					No
Built-in programming environment	VBA					No
Future enhancements /upgradeable	Yes					No
Filter tuning limit lines	Yes					Yes
Built-in bias tees	Yes					Yes
Probe power	Yes					Yes
DC measurements	Yes					Yes
Frequency offset mode option	Yes					Yes
Time-domain option	Yes					Yes

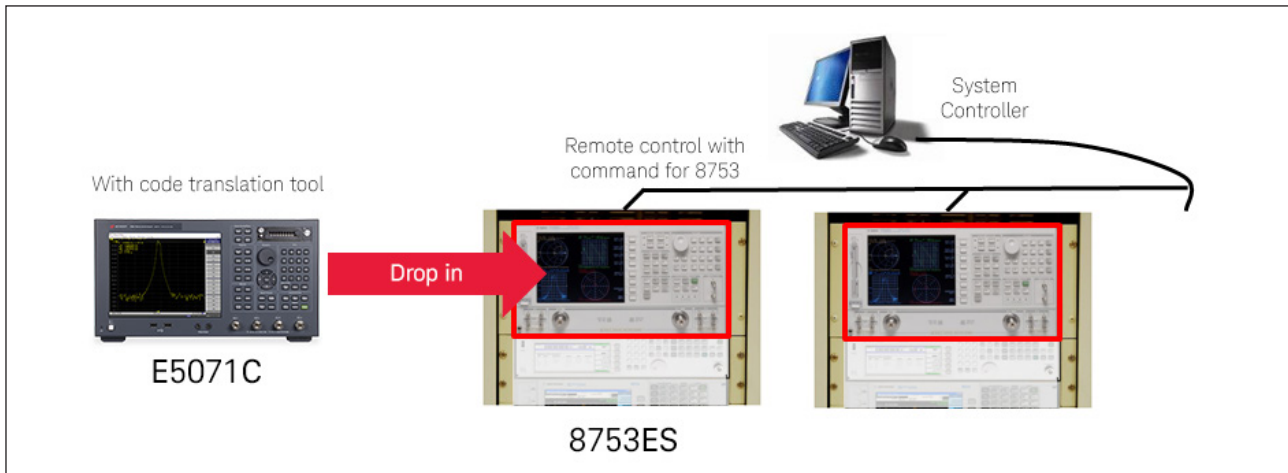
1. Maximum output power is changed according to measurement frequency.
2. 1601 points, Full two-port calibration, 1 GHz to 1.2 GHz, IFBW = 500 kHz (E5071C), 6 kHz (8753ES).
3. For more detail, refer to **Application Note: 7 Reasons to Upgrade from your 8753 to an ENA Network Analyzer, AN 1478**, <http://literature.cdn.keysight.com/litweb/pdf/5989-0206EN.pdf>

For more details, refer to the E5071C ENA Vector Network Analyzer Data Sheet, <http://literature.cdn.keysight.com/litweb/pdf/5989-5479EN.pdf>

## Secure your assets

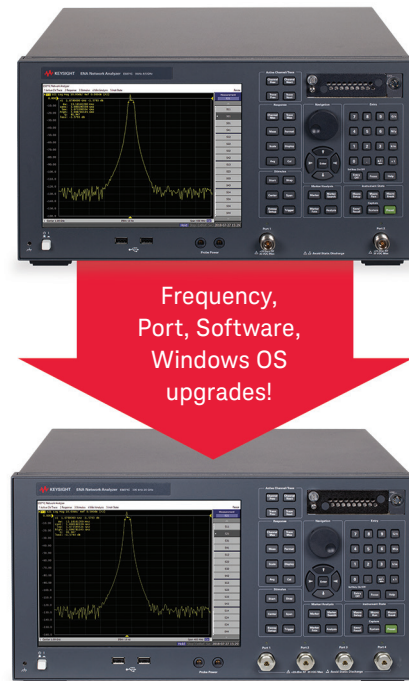
### Protecting your 8753 software investment

The E5071C has a 8753 code compatible mode in which the analyzer automatically translates the 8753's remote programming commands for operation on the E5071C. This enables you drop-in replacement in the automated test environment.<sup>1</sup>



### Protecting your hardware investment

The E5071C is a safe investment because of its flexibility. You can easily upgrade any feature of the E5071C whenever you need the feature! This includes not only software options like time-domain mode, frequency offset mode, and MWA, but also hardware option such as frequency, test-port and high stability.



1. Contact your Keysight sales representatives for technical support.



## Ordering information

### E5071C ENA vector network analyzer

Option E5071C-240	2-port test set, 9 kHz to 4.5 GHz without bias tees
Option E5071C-245	2-port test set, 100 kHz to 4.5 GHz with bias tees
Option E5071C-440	4-port test set, 9 kHz to 4.5 GHz without bias tees
Option E5071C-445	4-port test set, 100 kHz to 4.5 GHz with bias tees
Option E5071C-260	2-port test set, 9 kHz to 6.5 GHz without bias tees
Option E5071C-265	2-port test set, 100 kHz to 6.5 GHz with bias tees
Option E5071C-460	4-port test set, 9 kHz to 6.5 GHz without bias tees
Option E5071C-465	4-port test set, 100 kHz to 6.5 GHz with bias tees
Option E5071C-280	2-port test set, 9 kHz to 8.5 GHz without bias tees
Option E5071C-285	2-port test set, 100 kHz to 8.5 GHz with bias tees
Option E5071C-480	4-port test set, 9 kHz to 8.5 GHz without bias tees
Option E5071C-485	4-port test set, 100 kHz to 8.5 GHz with bias tees
Option E5071C-2D5	2-port test set, 300 kHz to 14 GHz with bias tees
Option E5071C-4D5	4-port test set, 300 kHz to 14 GHz with bias tees
Option E5071C-2K5	2-port test set, 300 kHz to 20 GHz with bias tees
Option E5071C-4K5	4-port test set, 300 kHz to 20 GHz with bias tees

### Additional options

Option E5071C-008	Frequency offset mode
Option E5071C-TDR	Enhanced time domain analysis
Option E5071C-010	Time domain analysis
Option E5071C-790	Measurement Wizard Assistant software
Option E5071C-1E5	High stability timebase
Option E5071C-017	Removable hard disk drive

### E5092A Configurable multipoint test set

Option E5092A-020	20 GHz, up to 22-port configurable multipoint test set
-------------------	--

For details, refer to the E5071C ENA Vector Network Analyzer,  
<http://literature.cdn.keysight.com/litweb/pdf/5989-5480EN.pdf>

## Web resources

Available on the ENA Web site: [www.keysight.com/find/ena](http://www.keysight.com/find/ena)  
Visit our Web sites for additional product information and literature.

- ENA vector network analyzers:  
[www.keysight.com/find/ena](http://www.keysight.com/find/ena)
- ENA vector service and support:  
[http://www.keysight.com/find/ena\\_support](http://www.keysight.com/find/ena_support)
- Sample VBA Library for ENA Series:  
<http://www.keysight.com/find/enavba>
- Balanced measurements:  
[www.keysight.com/find/balanced](http://www.keysight.com/find/balanced)
- Electronic calibration (ECal) modules:  
[www.keysight.com/find/ecal](http://www.keysight.com/find/ecal)
- Materials measurements:  
[www.keysight.com/find/materials](http://www.keysight.com/find/materials)
- Multiport test sets:  
[www.keysight.com/find/multiport](http://www.keysight.com/find/multiport)
- Enhanced time domain analysis option:  
[www.keysight.com/find/ena-tdr](http://www.keysight.com/find/ena-tdr)
- Physical layer test systems:  
[www.keysight.com/find/plts](http://www.keysight.com/find/plts)
- PNA microwave network analyzers:  
[www.keysight.com/find/pna](http://www.keysight.com/find/pna)
- RF and microwave accessories:  
[www.keysight.com/find/mta](http://www.keysight.com/find/mta)

## Literature

E5071C ENA Vector Network Analyzer Data Sheet,  
<http://literature.cdn.keysight.com/litweb/pdf/5989-5479EN.pdf>

E5071C ENA Vector Network Analyzer Configuration Guide,  
<http://literature.cdn.keysight.com/litweb/pdf/5989-5480EN.pdf>

Keysight Vector Network Analyzer Selection Guide,  
<http://literature.cdn.keysight.com/litweb/pdf/5989-7603EN.pdf>

Learn more at: [www.keysight.com](http://www.keysight.com)

For more information on Keysight Technologies' products, applications or services,  
please contact your local Keysight office. The complete list is available at:  
[www.keysight.com/find/contactus](http://www.keysight.com/find/contactus)

