

Keysight Technologies

M9010A PXIe Chassis

PCIe Gen 3, 24 GB/s, 10-slots, 3U

Data Sheet



Introduction

The Keysight Technologies, Inc. M9010A PXIe 10-slot Gen 3 chassis delivers flexibility, compatibility, and performance in a smaller form-factor ideal for bench-top applications. With 8 PXIe hybrid slots, it gives the system designer flexibility to mix and match the number and location of PXIe and hybrid-compatible modules. The ultra-high performance, PCIe® switch fabric can operate up to Gen 3 providing up to 24 GB/s of system data bandwidth. The new cooling design provides exceptional per-slot cooling while producing much less fan noise. It is also designed for easy maintenance and has features for combining multiple chassis together or integrating with other non-PXI instrumentation.



Key Features

- 8 PXIe hybrid slots, 1 PXIe timing slot, and 1 PXIe system slot
- Powerful cooling with low fan noise
- Ultra-high performance Gen 3 PCIe switching with a two-link (x8, x16) system slot and x8 links to the hybrid/timing slots
- High data bandwidth (maximum 24 GB/s system and 8 GB/s slot-to-slot)
- Multi-chassis power-sequencing and front panel external trigger inputs/outputs
- Specified up to 55 °C and 10,000 ft operating conditions

Hardware Overview

Backplane configuration

The M9010A PXIe chassis provides 8 hybrid-compatible slots for flexibility and compatibility. It utilizes a single PCI segment with PCIe-to-PCI bridge (Figure 2) for the hybrid slots. The PXIe slots are also organized into two trigger bus segments with configurable interconnections between segments. Two front panel trigger ports (SMB) are connected to the PXI (0:7) trigger bus. This enables easy integration with non-PXI instruments.



Figure 1. M9010A 10-slot PXIe Gen 3 chassis

Ultra-high performance PCIe fabric

The M9010A PXIe chassis is built around an ultra-high performance PCIe switch fabric that operates at up to Gen 3 speeds. All of the PXIe peripheral slots have a x8 PCIe link providing a maximum data bandwidth of 8 GB/s each. The two-link system slot has a maximum data bandwidth of 24 GB/s when all 24 PCIe lanes are utilized. When combined with the M9023A PXIe system module, M9049A PCIe adapter, and an external PC with a Gen 3 x16 PCIe slot, up to 16 GB/s of data bandwidth can be achieved between the PC and PXIe chassis.

The advanced switch fabric also allows for peer-to-peer communications. Any peripheral slot can communicate with any other peripheral slot without utilizing the system slot PCIe links. The PCIe switches have a large crossbar capacity, allowing flexible placement of peer-to-peer modules without impacting data bandwidth.

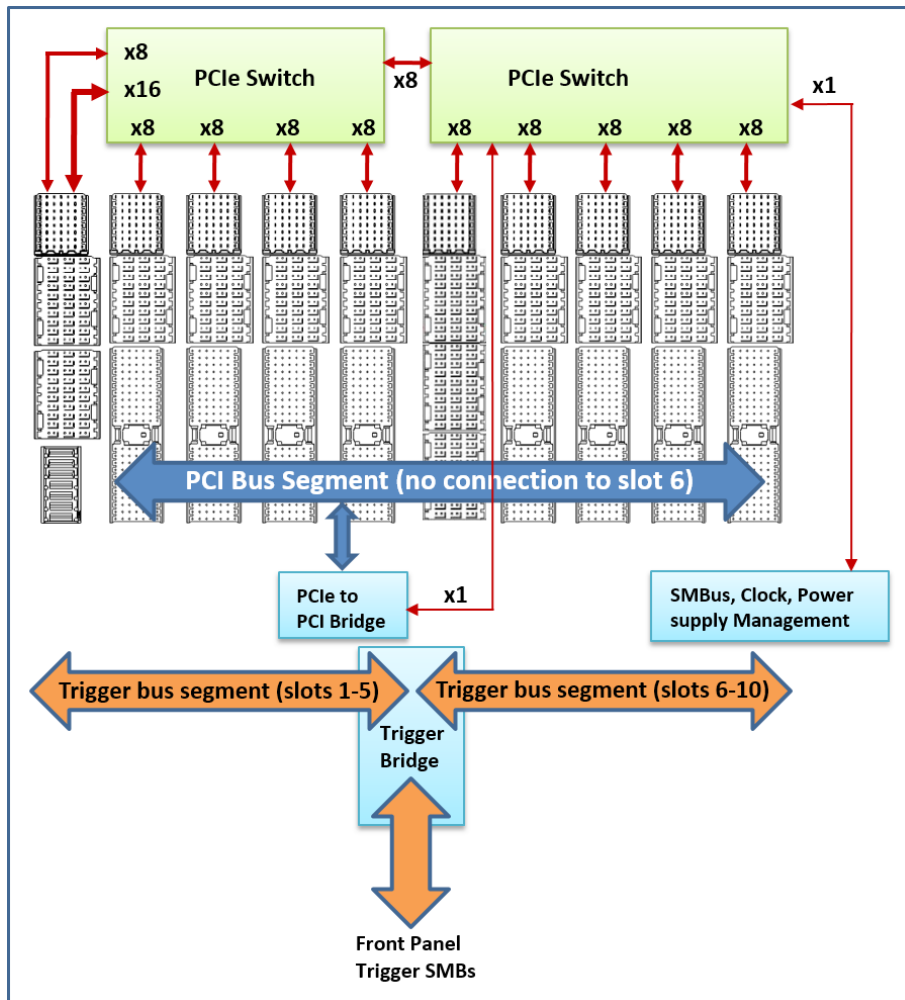


Figure 2. Backplane configuration diagram of the M9010A PXIe 10-slot chassis.

Innovative Cooling

The M9010A has been optimized for both module cooling and acoustical fan noise resulting in a lower-level of fan noise when high-performance PXIe modules are used. It utilizes auto-speed fans and internal temperatures sensors to give the user complete control over module temperatures. Unlike many other PXIe chassis, the fan-speed is controlled using temperature sensors located on the top of the backplane, in the path of the module cooling air exhaust. This enables the M9010A fans to react to actual changes in module temperatures, instead of ambient air temperature readings. This results in lower module operating temperatures when the AUTO fan setting is used. When the HIGH fan setting is used, the acoustical emissions are much lower than the typical PXIe chassis.

Lower maintenance costs

With Keysight's standard three year warranty, your investment is protected by Keysight's global reach in more than 100 countries (either directly or through distributors). The warranty gives you convenient standard coverage for the country in which the product is used, eliminating the need to ship equipment back to the country of purchase. Keysight's warranty service provides:

- All parts and labor necessary to return your investment to full specified performance
- Recalibration for products supplied originally with a calibration certificate
- Return shipment

System monitoring

The M9010A PXIe chassis has a complete set of system monitoring functions for power rail voltages, module exhaust temperatures, and fan speeds. For temperature measurements, the chassis utilizes 6 temperature sensors located on the top of the backplane, in the path of the module exhaust. Chassis operating conditions can be monitored via a software API or the soft front panel interface.

A DB-9 connector is also available at the rear of the chassis for remote inhibit and power rail monitoring. The chassis has configurable alarms that can be monitored via front panel LEDs, soft front panel interface, or software API.

Easy system expansion

When connecting multiple PXIe chassis together, the power-sequencing becomes very important especially when an embedded controller is used. The M9010A PXIe chassis has special features built-in to make this easy. Cat 5 cables with RJ-45 connectors are used to interconnect the chassis. In a multi-chassis configuration, a user can press a single chassis power button to enable all chassis in the system to power-up. If an embedded controller is being used, its chassis will automatically be powered up last. This provides a consistent, repeatable power-up sequence.

The M9010A also has two front panel trigger SMBs which can be used for input/output triggers. These trigger ports connect to the PXIe backplane making it easy to connect triggers between multiple chassis or non-PXIe instruments.

Software Platform

Drivers and trigger manager

The M9010A PXIe chassis comes complete with IVI.NET, IVI-C, and LabVIEW drivers. Windows 7, 8.1, and 10 operating systems are supported, and applications can be created using a variety of software tools including LabVIEW, LabWindows/CVI, MATLAB, VEE, Visual Basic, VisualStudio.NET (C/C++, C#, VB.NET).

Soft front panel interface and trigger manager

A soft front panel (SFP) interface (Figure 3) and PXIe-9 compliant trigger bus manager are provided with the chassis. The SFP can be used to monitor and control the PXIe chassis and has the following functions:

- Configure fan control front panel trigger ports
- Monitor chassis fan speed, chassis temperatures, rail voltages, and PCIe links
- Configure alarms for fan speed, temperature, rail voltage, reference clock
- Run chassis self-test and update chassis firmware
- Review chassis information

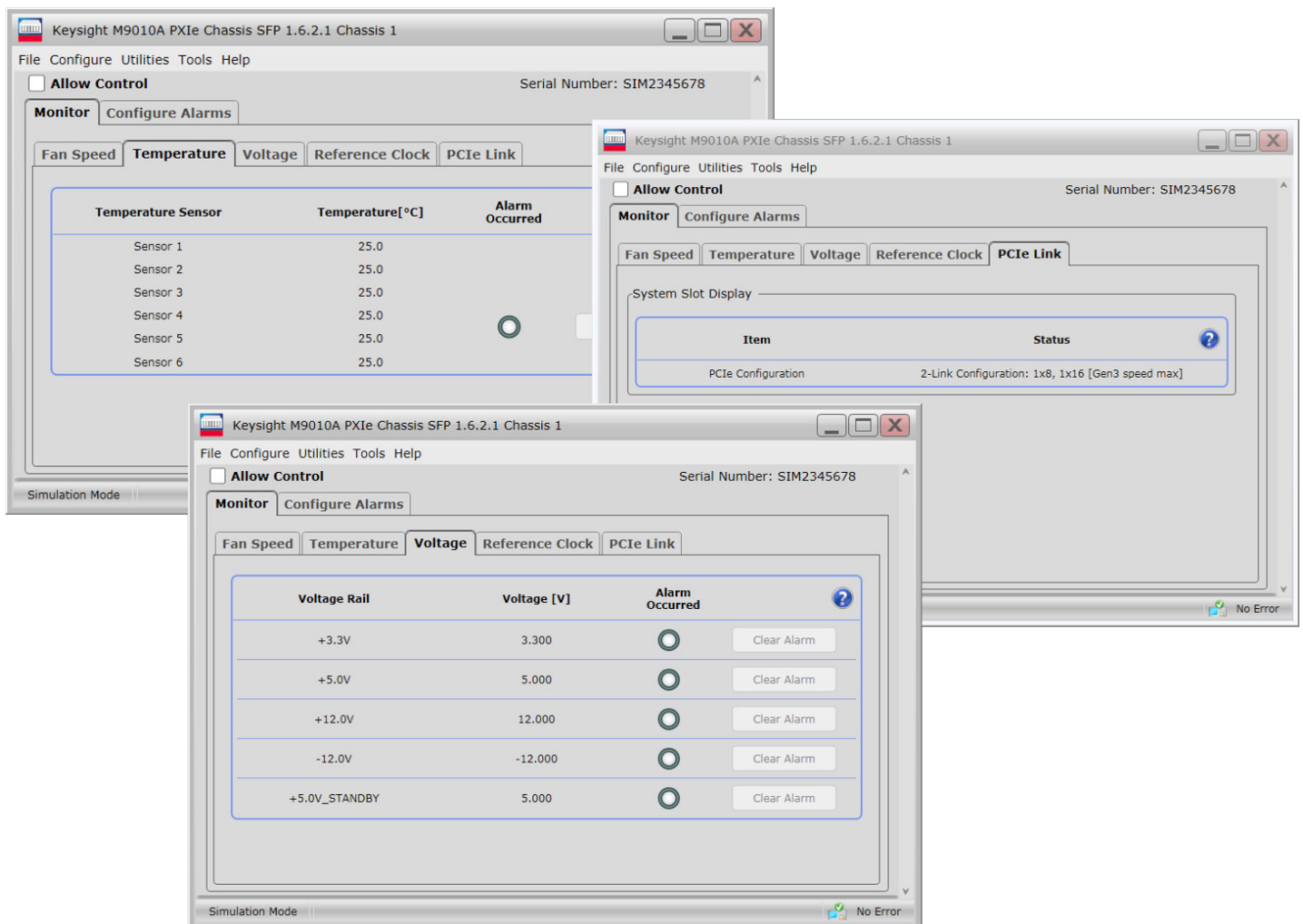


Figure 3. Soft front panel

Definitions

Specification

Warranted performance. Specifications include guardbands to account for the expected statistical performance distribution, measurement uncertainties, and changes in performance due to environmental conditions. All specifications and characteristics apply over the operating environment outlined in the “Environmental and Regulatory” section of this data sheet. In addition, the following conditions must be met:

- Instrument is within its calibration cycle if calibration is required.
- Instrument has been stored for a minimum of 1 hour within the operating temperature range prior to turn-on and after a 30 minute warm-up period.

Characteristics

Characteristics describe product performance that is useful in the application of the product, but that is not covered by the product warranty. Characteristics are often referred to as Typical or Nominal values.

Typical

Expected performance of an average unit when operated over a 20 to 30 °C temperature range. Typical performance is not warranted. The instrument must be within its calibration cycle if calibration is required.

Nominal

Nominal describes representative performance that is useful in the application of the product when operated over a 20 to 30 °C temperature range. Nominal performance is not warranted.

Additional information

All data are measured from multiple units at room temperature and are representative of product performance within the operating temperature range unless otherwise noted.

The specifications contained in this document are subject to change.

Technical Specifications

Chassis characteristics

Standards compliance

- PXI-5 PXI Express hardware specification
- PXI-1 hardware specification rev 2.2
- PICMG EXP.0 R2.0 specification

Backplane

Module size	3U
Total slots	10
Hybrid compatible slots	8
PXIe system slot	1 (with three system expansion slots)
PXIe timing slot	1 (also accepts PXIe module)
Module compatibility	PXIe, PXI-Hybrid, PXI-1 (J1 only), and cPCI (J1 only)
System slot link configuration (fixed)	2-link configuration: x8, x16
Backplane speed	PCIe revision 3.0 (Gen 3)

Mechanical

Size	322.5mm W x 194.8mm H x 552.5mm D (with feet installed)
	322.5mm W x 177.8mm H x 552.5mm D (with feet removed)
Weight (without modules)	14.02 kg (30.91 lbs)

Power supply characteristics

AC input

Operating voltage/power (low-line) ¹	100-120 V, 735 W (nominal)
Operating voltage/power (high-line) ¹	220-240 V, 1300 W (nominal)
Input frequency range	50/60 Hz
Over current protection	Internal fuse in line

Available DC output power (for peripheral module slots)

Total DC power ²	
– 220-240 V input:	830 W
– 100-120 V input:	470 W

1. Auto switching between high line and low line
2. No derating required for temperature or altitude



Technical Specifications

Power supply characteristics, continued

DC supplies

Voltage	Maximum current ¹		Load regulation	Maximum ripple and noise (20 MHz BW)
	45 °C, <10kft	50 °C, 10kft		
+3.3 V	58.8 A	48.8 A	5%	1.5% (pk-pk)
+5 V	36 A	31.5 A	5%	1% (pk-pk)
+12 V	40 A	35 A	5%	1% (pk-pk)
-12 V	4 A	3.5 A	5%	1% (pk-pk)
5 V _{AUX}	2 A	2 A	5%	50 mV (pk-pk)

Backplane pin current capacity

Slot	+3.3 V	+5 V	+12 V	- 12 V	5 V _{AUX}
System controller slot	9 A	9 A	11 A	0 A	1 A
System timing/PXIe slot	6 A	0 A	4 A	0 A	1 A
PXIe hybrid slot	6 A	6 A	4 A	1 A	1 A

Chassis cooling and power dissipation characteristics

Slot airflow direction	Bottom of module to top of module
Chassis cooling intake	Rear of chassis
Chassis cooling exhaust	Front top of chassis
Chassis cooling fans	Two 120 cfm fans on rear panel with HIGH/AUTO speed selector
Power dissipation, system slot	140 W max
Power dissipation, user slot	42 W max ²
Power dissipation, timing slot	42 W max ²

1. The total power supplied for all rails must not exceed 470 W (100-120 V) or 830 W (200-240 V).
2. Maximum per slot power dissipation at 55°C with 15°C temperature rise; requires: a) that the chassis top is not blocked (1U rack space above or sitting on bench and b) a slot blocker is installed in each empty slot. Module cooling can be impacted by each module's resistance to air flow.

Technical Specifications

Clocks and triggers		
10 MHz system clock (PXI_CLK10)		
Maximum slot-to-slot skew	200 ps	
Accuracy	30 ppm	
Output amplitude (10 MHz REF Out BNC)	1 V pk-pk \pm 20% square-wave into 50 Ω 2 V pk-pk unloaded	
Output impedance (10 MHz REF Out BNC)	50 Ω \pm 5 Ω	
100 MHz system clock (PXIe_CLK100)		
Maximum slot-to-slot skew	125 ps	
Accuracy	30 ppm	
External 10 MHz clock source input requirements		
Frequency input	10 MHz \pm 100 PPM	
Input signal (10 MHz REF In BNC)	100 mVPP to 5 VPP (square-wave or sine-wave)	
Input signal (PXI timing slot PXI_CLK10_IN)	5 V or 3.3 V TTL signal	
PXI star trigger		
Maximum slot-to-slot skew	250 ps	
PXI differential star triggers		
Maximum slot-to-slot skew	150 ps	
Maximum differential skew	25 ps	
Front panel triggers (trig 1 and trig 2 SMBs)		
Direction control	Input or output (configurable)	
Output level	3.3 V CMOS (TTL compatible, 5 V tolerant)	
Output impedance	50 Ω (typ)	
Output trigger source	PXI_Trig0 - PXI_Trig7 (Segment 1)	
Input level	3.3 V CMOS (TTL compatible, 5 V tolerant)	
Input impedance	3 k Ω (typ)	
Input trigger destination	PXI_Trig0 - PXI_Trig7 (Segment 1)	
Input threshold	1.65 V (typ)	
Minimum swing	250 mV (typ)	
Minimum pulse width	100 ns (typ)	
Environmental characteristics^{1,2}		
	Operating	Storage
Temperature	0°C to 55°C	-40°C to 70°C
Altitude	Up to 10,000 ft (3048 m)	Up to 15,000 ft (4572 m)
Humidity	Type-tested at 95% RH (non-condensing)	
Vibration		
Operating random vibration: type-tested at 5 to 500 Hz, 0.21 g rms		
Survival random vibration: type-tested at 5 to 500 Hz, 2.09 g rms		
Acoustical emissions (referenced to 1 pW)		
	Auto fan (25°C ambient)	High fan
Sound pressure level ³	42 dBA	58 dBA
Sound power	50 dBA	66 dBA

1. Samples of this product have been type tested in accordance with the Keysight Environmental Test Manual and verified to be robust against the environmental stresses of storage, transportation and end-use. Those stresses include but are not limited to temperature, humidity, shock, vibration, altitude and power line conditions.
2. Test Methods are aligned with IEC 60068-2 and levels are similar to MIL-PRF-28800F Class 3
3. At operator position

Technical Specifications

Regulatory characteristics

Safety	Complies with the essential requirements of the European LVD Directive of the following standards (dates and editions are cited in the Declaration of Conformity): <ul style="list-style-type: none"> - IEC/EN 61010-1 - Canada: CSA C22.2 No. 61010-1 - USA: UL std no. 61010-1
Acoustic statement (European Machinery Directive)	Acoustic noise emission LpA < 70 dB Operator position Normal operation mode per ISO 7779
EMC	Complies with European EMC Directive of the following standards (dates and editions are cited in the Declaration of Conformity): <ul style="list-style-type: none"> - IEC/EN 61326-1 - CISPR pub 11 group 1, class A - AS/NZS CISPR 11 - ICES/NMB-001 <p>This ISM device complies with Canadian ICES-001. Cet appareil ISM est conforme a la norme NMB-001 du Canada</p>

Recommended Configuration

Configure the Keysight M9010A PXIe chassis as follows:

- Select a PXIe system module or embedded controller (the Keysight M9022A/M9023A and M9037A are recommended)
- If an external computer is being used, select an appropriate PC interface card (the Keysight M9048B/M9049A are recommended)
- Select an appropriate cable to connect the computer interface board to the chassis interface (the Y1202A is recommended to connect the M9048B and M9022A)
- If rack-mounting the chassis, select the Y1217A rail kit and Y1271A rack mount kit. The Y1271A can be used for either flush or recess mount and a rail kit is required.
- Select accessories as required

Multi-chassis configuration

The M9010A can be used in multi-chassis configurations with other PXIe chassis and AXIe Chassis (such M9502A/M9505A). In general, up to four chassis can be connected together depending on the controller and operating system used. Many different topologies are possible including cascade and star. Two examples are shown below:

For more detailed configuration information, see Interface Modules and Adapters for PXIe and AXIe Systems, literature number 5992-0377EN.

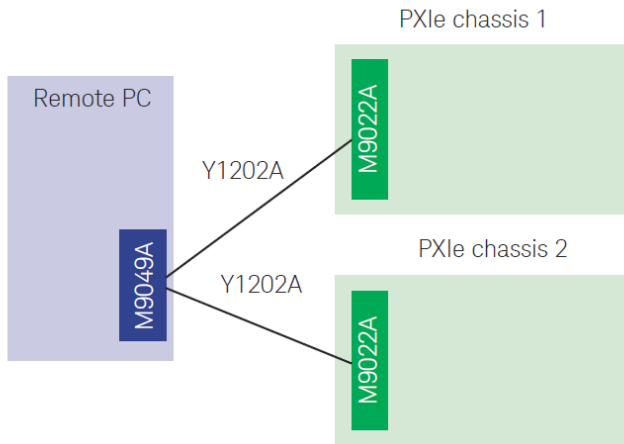


Figure 4. Star configuration using the M9049A for x8 connections from a remote PC to two chassis. Chassis types can be mixed AXIe and PXIe

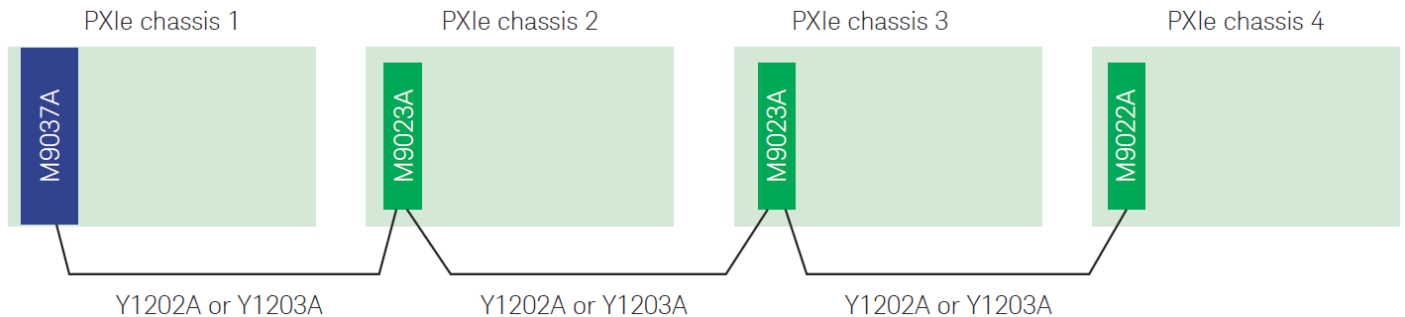


Figure 5. Cascade configuration using the M9037A with the M9022A for x8 connections from the embedded PC and multiple PXIe chassis (up to a total of four).

Hardware

Model	Description
M9010A	PXIe Chassis: 10-slot, 3U, 24 GB/s
Includes	Standard PXI filler panels, getting started guide, drivers, and Keysight I/O libraries

Accessories

Model	Description
Y1212A	Slot blocker kit: 5 single-slot
Y1213A	PXI EMC filler panel kit: 5 single-slot
Y1217A	PXI chassis rack rail kit
Y1271A	M9010A rack mount kit

Warranty and Calibration

Advantage Services: Calibration and Warranty

Keysight Advantage Services is committed to your success throughout your equipment's lifetime.

Warranty ¹

Included	Return to Keysight Warranty, 3 years
R-51B-001-5Z	Warranty Assurance Plan, Return to Keysight, 5 years
R-51B-001-3X	Return to Keysight Express Warranty - 3 years
R-51B-001-5X	Return to Keysight Express Warranty - 5 years

1. Options not available in all countries.

Software information

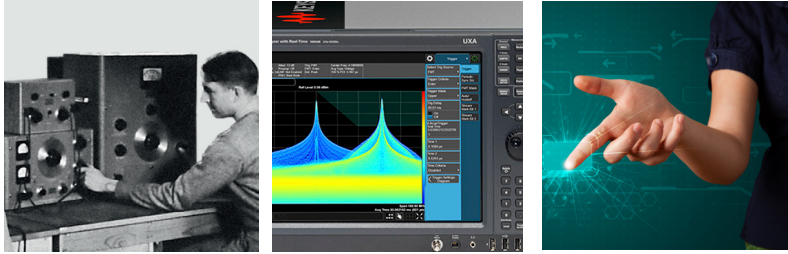
Supported operating systems	Microsoft Windows 7 SP1 (32/64-bit) Microsoft Windows 8.1 Update 1 (32/64-bit) Microsoft Windows 10 (32/64-bit)
Standard compliant drivers	IVI.NET, IVI-C, and LabVIEW
Supported application development environments (ADE)	LabVIEW, LabWindows/CVI, MATLAB, VEE, Visual Basic, VisualStudio.NET (C/C++, C#, VB.NET)
Keysight IO Libraries	Supported versions: 17.1 Update 1 (or later). Use of latest version recommended. Includes: VISA Libraries, Keysight Connection Expert, IO Monitor

Related Products

Model	Description
M9037A	PXIe embedded controller: Intel i7, 4 GB RAM, 240 GB SSD
M9048B	PCIe host adapter: single port (x8), Gen 3
M9049A	PCIe host adapter: dual port (16), Gen 3
M9022A	PXIe system module: single port (x8), Gen 3
M9023A	PXIe high performance system module: dual port (x16) Gen 3
M9024A	PXIe high performance system module with connectivity expansion: two gigabit LAN, two USB 3.0, four USB 2.0, GPIB

Evolving

Our unique combination of hardware, software, support, and people can help you reach your next breakthrough. **We are unlocking the future of technology.**



From Hewlett-Packard to Agilent to Keysight



myKeysight

myKeysight
www.keysight.com/find/mykeysight
 A personalized view into the information most relevant to you.

www.pcisig.com



PCI-SIG®, PCIe® and the PCI Express® are US registered trademarks and/or service marks of PCI-SIG.

www.pxisa.org



PCI eXtensions for Instrumentation (PXI) modular instrumentation delivers a rugged, PC-based high-performance measurement and automation system.

Three-Year Warranty

www.keysight.com/find/ThreeYearWarranty
 Keysight's committed to superior product quality and lower total cost of ownership. Keysight is the only test and measurement company with three-year warranty standard on all instruments, worldwide. And, we provide a one-year warranty on many accessories, calibration devices, systems and custom products.



Keysight Channel Partners

www.keysight.com/find/channelpartners
 Get the best of both worlds: Keysight's measurement expertise and product breadth, combined with channel partner convenience.

www.keysight.com/find/m9010a

For more information on Keysight Technologies' products, applications or services, please contact your local Keysight office. The complete list is available at: www.keysight.com/find/contactus

Americas

Canada	(877) 894 4414
Brazil	55 11 3351 7010
Mexico	001 800 254 2440
United States	(800) 829 4444

Asia Pacific

Australia	1 800 629 485
China	800 810 0189
Hong Kong	800 938 693
India	1 800 11 2626
Japan	0120 (421) 345
Korea	080 769 0800
Malaysia	1 800 888 848
Singapore	1 800 375 8100
Taiwan	0800 047 866
Other AP Countries	(65) 6375 8100

Europe & Middle East

Austria	0800 001122
Belgium	0800 58580
Finland	0800 523252
France	0805 980333
Germany	0800 6270999
Ireland	1800 832700
Israel	1 809 343051
Italy	800 599100
Luxembourg	+32 800 58580
Netherlands	0800 0233200
Russia	8800 5009286
Spain	800 000154
Sweden	0200 882255
Switzerland	0800 805353
	Opt. 1 (DE)
	Opt. 2 (FR)
	Opt. 3 (IT)
United Kingdom	0800 0260637

For other unlisted countries:
www.keysight.com/find/contactus
 (BP-09-23-16)



www.keysight.com/go/quality
 Keysight Technologies, Inc.
 DEKRA Certified ISO 9001:2015
 Quality Management System